

| | | |
|---------------------------|------------------------|---|
| 52104310 | DATA SHEET |  |
| Valid from: 24.11.2023 | SKINDICHT® MR-M | |

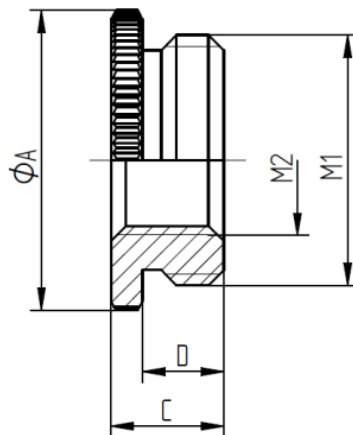
The SKINDICHT® MR-M reducers enable the use of cable glands which outer thread is smaller than the already existing thread borings in machines, devices and housings.



Technical features:

| | |
|-------------------|---|
| Material | Brass / Brass lead free, nickel-plated (external thread M16x1.5 up to M72x2) Brass, bright (internal thread M80x2) |
| O-ring (optional) | NBR |
| External thread | M16x1.5 up to M80x2 acc. to EN 60423 |
| Internal thread | M12x1.5 up to M75x1,5 acc. to EN 60423 |
| Temperature range | -60°C up to +200°C |

Norm



| | | |
|--|---------------------------------------|-------------|
| Creator: MAU1/PDP Released: DAMU1/PDP | Document: DB52104310EN Version: 08 | Page 1 of 2 |
|--|---------------------------------------|-------------|

| | | |
|---------------------------|------------------------|---|
| 52104310 | DATA SHEET |  |
| Valid from: 24.11.2023 | SKINDICHT® MR-M | |

SKINDICHT® MR-M

| External thread M1 | Internal thread M2 | Diameter Ø A mm | High C mm | High D mm | Article No. | |
|-----------------------|-----------------------|-----------------------|-----------------|-----------------|-------------|--------------------|
| | | | | | Brass | Brass lead free |
| M16x1,5 | M12x1,5 | 20 | 8,5 | 6 | 52104310 | 52104310LF |
| M20x1,5 | M12x1,5 | 24 | 9 | 6,5 | 52104311 | 52104311LF |
| M20x1,5 | M16x1,5 | 24 | 9 | 6,5 | 52104312 | 52104312LF |
| M25x1,5 | M16x1,5 | 30 | 10 | 7 | 52104313 | 52104313LF |
| M25x1,5 | M20x1,5 | 30 | 10 | 7 | 52104314 | 52104314LF |
| M32x1,5 | M20x1,5 | 37 | 11,5 | 8 | 52104315 | 52104315LF |
| M32x1,5 | M25x1,5 | 37 | 11,5 | 8 | 52104316 | 52104316LF |
| M40x1,5 | M25x1,5 | 46 | 12,5 | 9 | 52104317 | 52104317LF |
| M40x1,5 | M32x1,5 | 46 | 12,5 | 9 | 52104318 | 52104318LF |
| M50x1,5 | M32x1,5 | 56 | 14 | 10 | 52104319 | 52104319LF |
| M50x1,5 | M40x1,5 | 56 | 14 | 10 | 52104320 | 52104320LF |
| M63x1,5 | M40x1,5 | 68 | 14 | 10 | 52104321 | 52104321LF |
| M63x1,5 | M50x1,5 | 68 | 14 | 10 | 52104322 | 52104322LF |
| M72x2 | M63x1,5 | 78 | 19 | 12 | 52006575 | 52006575LF |
| M80x2 | M75x1,5 | 86 | 19 | 12 | 52006579 | - |

SKINDICHT® MR-M with o-ring

| External thread M1 | Internal thread M2 | Diameter Ø A mm | High C mm | High D mm | Article No. | |
|-----------------------|-----------------------|-----------------------|-----------------|-----------------|-------------|--------------------|
| | | | | | Brass | Brass lead free |
| M16x1,5 | M12x1,5 | 20 | 8,5 | 6 | 52104409 | - |
| M20x1,5 | M12x1,5 | 24 | 9 | 6,5 | 52104411 | - |
| M20x1,5 | M16x1,5 | 24 | 9 | 6,5 | 52104412 | - |
| M25x1,5 | M16x1,5 | 30 | 10 | 7 | 52104413 | - |
| M25x1,5 | M20x1,5 | 30 | 10 | 7 | 52104414 | - |
| M32x1,5 | M20x1,5 | 37 | 11,5 | 8 | 52104419 | - |
| M32x1,5 | M25x1,5 | 37 | 11,5 | 8 | 52104416 | - |
| M40x1,5 | M25x1,5 | 46 | 12,5 | 9 | 52104417 | - |
| M40x1,5 | M32x1,5 | 46 | 12,5 | 9 | 52104418 | - |
| M50x1,5 | M32x1,5 | 56 | 14 | 10 | 52104421 | - |
| M50x1,5 | M40x1,5 | 56 | 14 | 10 | 52104422 | - |
| M63x1,5 | M40x1,5 | 68 | 14 | 10 | 52104423 | - |
| M63x1,5 | M50x1,5 | 68 | 14 | 10 | 52104424 | - |

For more information please see our current catalogue. Please do not hesitate to contact our laboratory if there are any questions regarding resistance against aggressive agents and special oil.

| | | |
|---|---------------------------------------|-------------|
| Creator: MAAU1/PDP Released: DAMU1/PDP | Document: DB52104310EN Version: 08 | Page 2 of 2 |
|---|---------------------------------------|-------------|