

MX2-EV2

Born to drive machines

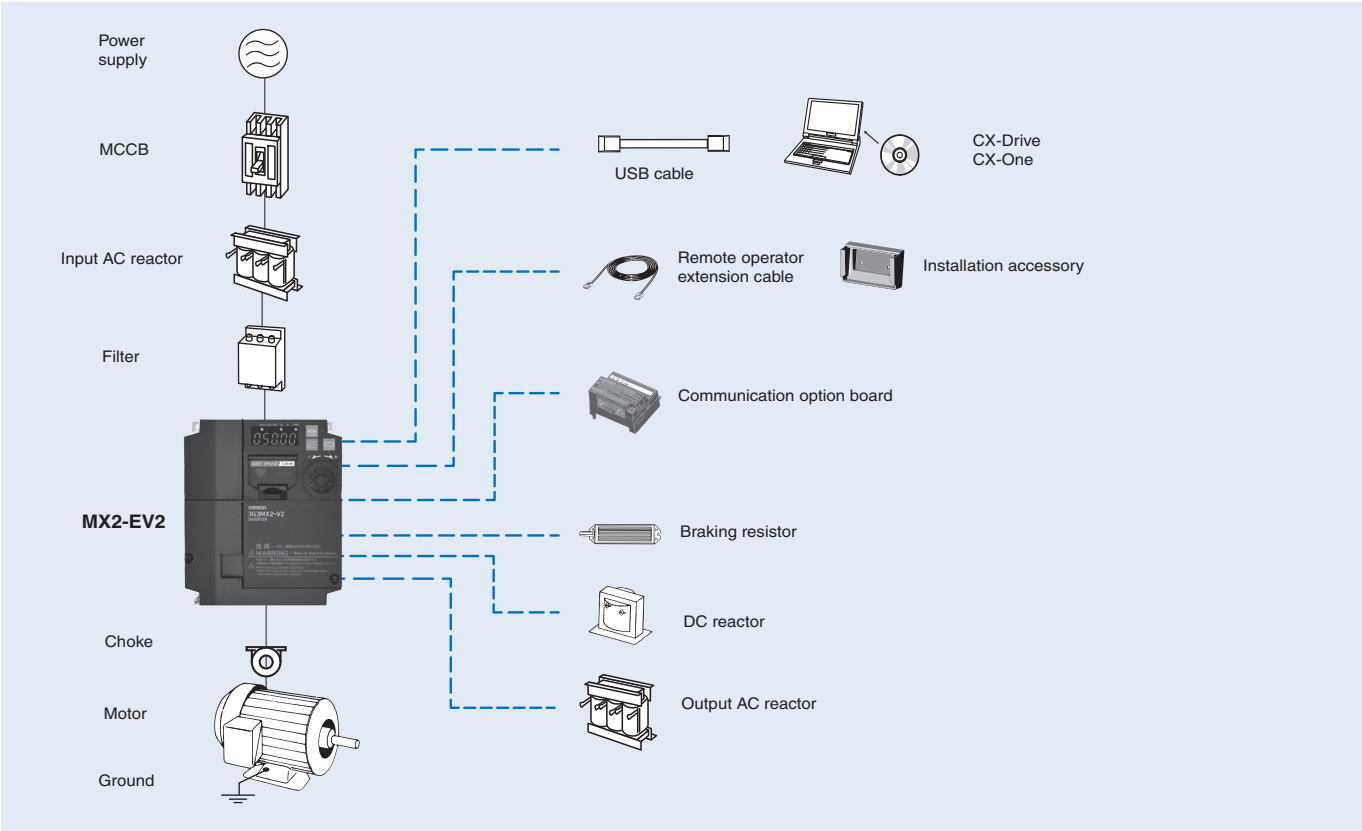
- Current vector control
- High starting torque: 200% at 0.5 Hz
- Double rating VT 120%/1 min and CT 150%/1 min
- IM & PM motor control
- Torque control in open loop vector
- Positioning functionality
- Built-in application functionality (i.e. Brake control)
- Built-in logic programming
- Safety embedded compliant with ISO13849-1 (double input circuit and external device monitor EDM)
- USB port for PC programming
- 24 VDC backup supply for control board
- Fieldbus communications: EtherCAT
- Built-in RS485
- PC configuration tool: CX-Drive
- RoHS, CE, cULus

Ratings

- 200 V Class single-phase 0.1 to 2.2 kW
- 200 V Class three-phase 0.1 to 15.0 kW
- 400 V Class three-phase 0.4 to 15.0 kW

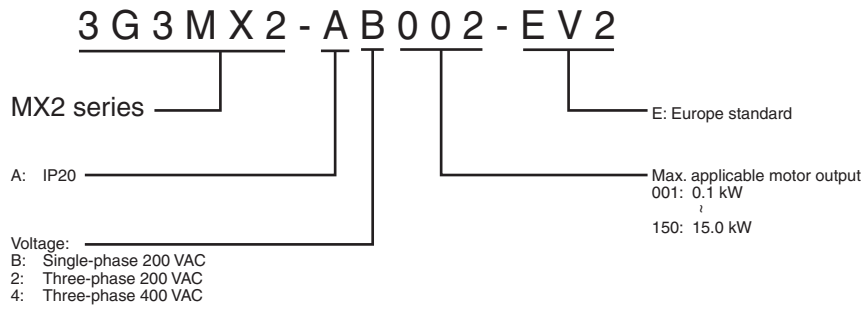


System configuration



Specifications

Type designation



200 V class

| Single-phase: 3G3MX2-EV2□ | | B001 | B002 | B004 | B007 | B015 | B022 | - | - | - | - | - | |
|-----------------------------|---|---|--|------|------|------|--------------------------|------|------------|------|------|------|------|
| Three-phase: 3G3MX2-EV2□ | | 2001 | 2002 | 2004 | 2007 | 2015 | 2022 | 2037 | 2055 | 2075 | 2110 | 2150 | |
| Motor kW ^{*1} | For VT setting | 0.2 | 0.4 | 0.55 | 1.1 | 2.2 | 3.0 | 5.5 | 7.5 | 11 | 15 | 18.5 | |
| | For CT setting | 0.1 | 0.2 | 0.4 | 0.75 | 1.5 | 2.2 | 3.7 | 5.5 | 7.5 | 11 | 15 | |
| Output characteristics | Drive capacity kVA | 200 VT | 0.4 | 0.6 | 1.2 | 2.0 | 3.3 | 4.1 | 6.7 | 10.3 | 13.8 | 19.3 | 23.9 |
| | | 200 CT | 0.2 | 0.5 | 1.0 | 1.7 | 2.7 | 3.8 | 6.0 | 8.6 | 11.4 | 16.2 | 20.7 |
| | | 240 VT | 0.4 | 0.7 | 1.4 | 2.4 | 3.9 | 4.9 | 8.1 | 12.4 | 16.6 | 23.2 | 28.6 |
| | | 240 CT | 0.3 | 0.6 | 1.2 | 2.0 | 3.3 | 4.5 | 7.2 | 10.3 | 13.7 | 19.5 | 24.9 |
| | Rated output current (A) at VT | | 1.2 | 1.9 | 3.5 | 6.0 | 9.6 | 12.0 | 19.6 | 30.0 | 40.0 | 56.0 | 69.0 |
| | Rated output current (A) at CT | | 1.0 | 1.6 | 3.0 | 5.0 | 8.0 | 11.0 | 17.5 | 25.0 | 33.0 | 47.0 | 60.0 |
| Max. output voltage | | Proportional to input voltage: 0..240 V | | | | | | | | | | | |
| Max. output frequency | | 400 Hz | | | | | | | | | | | |
| Power supply | Rated input voltage and frequency | | Single-phase 200..240 V 50/60 Hz 3-phase 200..240 V 50/60 Hz | | | | | | | | | | |
| | Allowable voltage fluctuation | | -15%..+10% | | | | | | | | | | |
| | Allowable frequency fluctuation | | 5% | | | | | | | | | | |
| | Rated input current | VT | 2.0 | 3.6 | 7.3 | 13.8 | 20.2 | 24.0 | - | | | | |
| | | CT | 1.3 | 3.0 | 6.3 | 11.5 | 16.8 | 22.0 | - | | | | |
| Rated input current 3-phase | VT | 1.2 | 1.9 | 3.9 | 7.2 | 10.8 | 13.9 | 23.0 | 37.0 | 48.0 | 68.0 | 72.0 | |
| | CT | 1.0 | 1.6 | 3.3 | 6.0 | 9.0 | 12.7 | 20.5 | 30.8 | 39.6 | 57.1 | 62.6 | |
| Braking | Torque at short-time deceleration by capacitors | 100%: <50Hz 50%: <60Hz | | | | | 70%: <50Hz 50%: <60Hz | | Approx 20% | | - | | |
| | | Min resistor | | | 100 | | 50 | | 35 | | 20 | | 17 |
| Cooling method | | Self cooling | | | | | Forced-air-cooling | | | | | | |

*1. Based on a standard 3-Phase standard motor.

400 V class

| Three-phase: 3G3MX2-□ | | 4004 | 4007 | 4015 | 4022 | 4030 | 4040 | 4055 | 4075 | 4110 | 4150 | |
|---------------------------|---|---|-----------------------------|------|--------------------|------|--------------------------|------|------|------|------|------|
| Motor kW ^{*1} | For VT setting | 0.75 | 1.5 | 2.2 | 3.0 | 4.0 | 5.5 | 7.5 | 11 | 15 | 18.5 | |
| | For CT setting | 0.4 | 0.75 | 1.5 | 2.2 | 3.0 | 4.0 | 5.5 | 7.5 | 11 | 15 | |
| Output characteristics | Drive capacity kVA | 380 VT | 1.3 | 2.6 | 3.5 | 4.5 | 5.7 | 7.3 | 11.5 | 15.1 | 20.4 | 25.0 |
| | | 380 CT | 1.1 | 2.2 | 3.1 | 3.6 | 4.7 | 6.0 | 9.7 | 11.8 | 15.7 | 20.4 |
| | | 480 VT | 1.7 | 3.4 | 4.4 | 5.7 | 7.3 | 9.2 | 14.5 | 19.1 | 25.7 | 31.5 |
| | | 480 CT | 1.4 | 2.8 | 3.9 | 4.5 | 5.9 | 7.6 | 12.3 | 14.9 | 19.9 | 25.7 |
| | Rated output current (A) at VT | | 2.1 | 4.1 | 5.4 | 6.9 | 8.8 | 11.1 | 17.5 | 23.0 | 31.0 | 38.0 |
| | Rated output current (A) at CT | | 1.8 | 3.4 | 4.8 | 5.5 | 7.2 | 9.2 | 14.8 | 18.0 | 24.0 | 31.0 |
| Max. output voltage | | Proportional to input voltage: 0..480 V | | | | | | | | | | |
| Max. output frequency | | 400 Hz | | | | | | | | | | |
| Power supply | Rated input voltage and frequency | | 3-phase 380..480 V 50/60 Hz | | | | | | | | | |
| | Allowable voltage fluctuation | | -15%..+10% | | | | | | | | | |
| | Allowable frequency fluctuation | | 5% | | | | | | | | | |
| | Rated input current | VT | 2.1 | 4.3 | 5.9 | 8.1 | 9.4 | 13.3 | 20.0 | 24.0 | 38.0 | 44.0 |
| CT | | 1.8 | 3.6 | 5.2 | 6.5 | 7.7 | 11.0 | 16.9 | 18.8 | 29.4 | 35.9 | |
| Braking | Torque at short-time deceleration by capacitors | 100%: <50Hz 50%: <60Hz | | | | | 70%: <50Hz 50%: <60Hz | | - | | | |
| | | Min resistor | | | 180 | | 100 | | | 70 | | 35 |
| Cooling method | | Self cooling | | | Forced-air-cooling | | | | | | | |

*1. Based on a standard 3-Phase standard motor.

Specifications

Common specifications

| Model number 3G3MX2 | | Specifications |
|-------------------------|---|---|
| Control functions | Control methods | Phase-to-phase sinusoidal pulse with modulation PWM (Sensorless vector control, V/F) |
| | Output frequency range | 0.10..590.00 Hz |
| | Frequency precision | Digital set value: $\pm 0.01\%$ of the max. frequency Analogue set value: $\pm 0.2\%$ of the max. frequency ($25 \pm 10^\circ\text{C}$) |
| | Resolution of frequency set value | Digital set value: 0.01 Hz Analogue set value: 1/1000 of maximum frequency |
| | Resolution of output frequency | 0.01Hz |
| | Starting torque | 200% / 0.5 Hz |
| | Overload capability | Dual rating: Heavy duty (CT): 150% for 1 minute Normal Duty (VT): 120% for 1 minute |
| | Frequency set value | 0 to 10 VDC (10 K Ω), 4 to 20 mA (100 Ω), RS485 Modbus, Network options |
| | V/f Characteristics | Constant/ reduced torque, free V/f |
| Functionality | Inputs signals | FW (forward run command), RV (reverse run command), CF1~CF4 (multi-stage speed setting), JG (jog command), DB (external braking), SET (set second motor), 2CH (2-stage accel./decel. command), FRS (free run stop command), EXT (external trip), USP (startup function), CS (commercial power switchover), SFT (soft lock), AT (analog input selection), RS (reset), PTC (thermistor thermal protection), STA (start), STP (stop), F/R (forward/reverse), PID (PID disable), PIDC (PID reset), UP (remote control up function), DWN (remote control down function), UDC (remote control data clear), OPE (operator control), SF1~SF7 (multi-stage speed setting; bit operation), OLR (overload restriction), TL (torque limit enable), TRQ1 (torque limit changeover1), TRQ2 (torque limit changeover2), BOK (Braking confirmation), LAC (LAD cancellation), PCLR (position deviation clear), ADD (add frequency enable), F-TM (force terminal mode), ATR (permission of torque command input), KHC (Cumulative power clear), MI1~MI7 (general purpose inputs for Drive Programming), AHD (analog command hold), CP1~CP3 (multistage-position switches), ORL (limit signal of zero-return), ORC (trigger signal of zero-return), SPD (speed/position changeover), 485 (Starting communication signal), PRG (executing Drive Programming), HLD (retain output frequency), ROK (permission of run command), EB (rotation direction detection of B phase), DISP (display limitation), OP (option control signal), NO (no function), PSET (preset position) |
| | Output signals | RUN (run signal), FA1~FA5 (frequency arrival signal), OL,OL2 (overload advance notice signal), OD (PID deviation error signal), AL (alarm signal), OTQ (over/under torque threshold), UV (under-voltage), TRQ (torque limit signal), RNT (run time expired), ONT (power ON time expired), THM (thermal warning), BRK (brake release), BER (brake error), ZS (0Hz detection), DSE (speed deviation excessive), POK (positioning completion), ODc (analog voltage input disconnection), OIdc (analog current input disconnection), FBV (PID second stage output), NDc (network disconnect detection), LOG1~LOG3 (Logic output signals), WAC (capacitor life warning), WAF (cooling fan warning), FR (starting contact), OHF (heat sink overheat warning), LOC (Low load), MO1~MO3 (general outputs for Drive Programming), IRDY (drive ready), FWR (forward operation), RVR (reverse operation), MJA (major failure), WCO (window comparator O), WCOI (window comparator OI), FREF (frequency command source), REF (run command source), SETM (second motor in operation), EDM (STO (safe torque off) performance monitor), OP (option control signal), NO (no function) |
| | Standard functions | Free-V/f, manual/automatic torque boost, output voltage gain adjustment, AVR function, reduced voltage start, motor data selection, auto-tuning, motor stabilization control, reverse running protection, simple position control, simple torque control, torque limiting, automatic carrier frequency reduction, energy saving operation, PID function, non-stop operation at instantaneous power failure, brake control, DC injection braking, dynamic braking (BRD), frequency upper and lower limiters, jump frequencies, curve accel and decel (S, U, inverted U,EL-S), 16-stage speed profile, fine adjustment of start frequency, accel and decel stop, process jogging, frequency calculation, frequency addition, 2-stage accel/decel, stop mode selection, start/end freq., analog input filter, window comparators, input terminal response time, output signal delay/hold function, rotation direction restriction, stop key selection, software lock, safe stop function, scaling function, display restriction, password function, user parameter, initialization, initial display selection, cooling fan control, warning, trip retry, frequency pull-in restart, frequency matching, overload restriction, over current restriction, DC bus voltage AVR |
| | Analogue inputs | 2 analogue inputs 0 to 10 V (10 K Ω), 4 to 20 mA (100 Ω) |
| | Pulse train input terminal | 0 to 24 V, up to 32 kHz |
| | Accel/Decel times | 0.01 to 3600.0 s (line/curve selection), 2nd accel/decel setting available |
| | Display | Status indicator LED's Run, Program, Alarm, Power, Hz, Amps Digital operator: Available to monitor 32 items: frequency reference, output current, output frequency... |
| | Motor overload protection | Electronic Thermal overload relay and PTC thermistor input |
| | Instantaneous overcurrent | 200% of rated current |
| | Overload | Dual rating: Heavy duty (CT): 150% for 1 minute Normal Duty (VT): 120% for 1 minute |
| Overvoltage | 800 V for 400 V type and 400 V for 200 V type | |
| Undervoltage | 345 V for 400 V type and 172.5 V for 200 V type | |
| Momentary power loss | Following items are selectable: Alarm, decelerates to stop, decelerates to stop with DC bus controlled, restart | |
| Cooling fin overheat | Temperature monitor and error detection | |
| Stall prevention level | Stall prevention during acceleration/deceleration and constant speed | |
| Ground fault | Detection at power-on | |
| Power charge indication | On when power is supplied to the control part | |
| Protection functions | Degree of protection | IP20 |
| | Ambient humidity | 90% RH or less (without condensation) |
| | Storage temperature | -20°C..+65°C (short-term temperature during transportation) |
| | Ambient temperature | • 10°C to 50°C (Both the carrier frequency and output current need to be reduced over 40°C) |
| | Installation | Indoor (no corrosive gas, dust, etc.) |
| | Installation height | Max. 1000 m |
| Ambient conditions | Vibration | 5.9 m/s ² (0.6G), 10 to 55 Hz |

Dimensions

Standard models

Fig.1

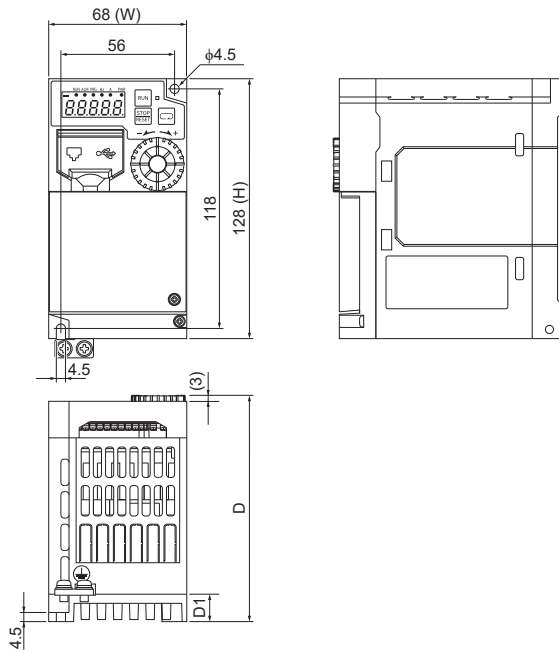


Fig.2

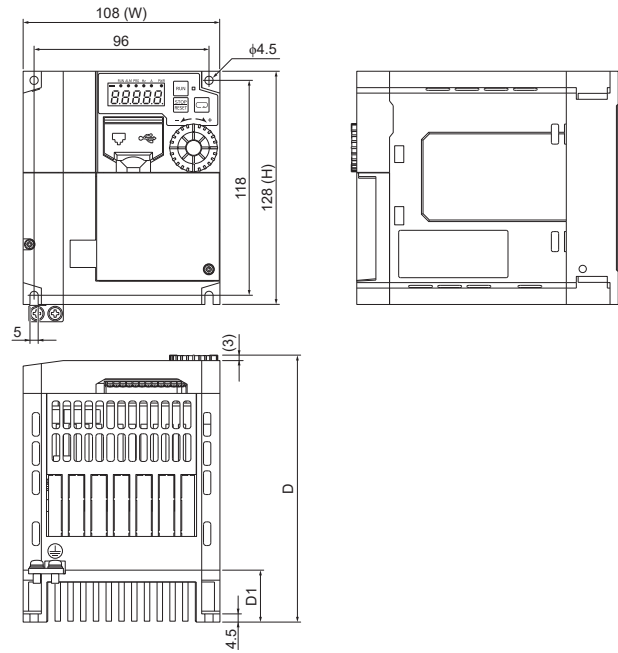


Fig.3

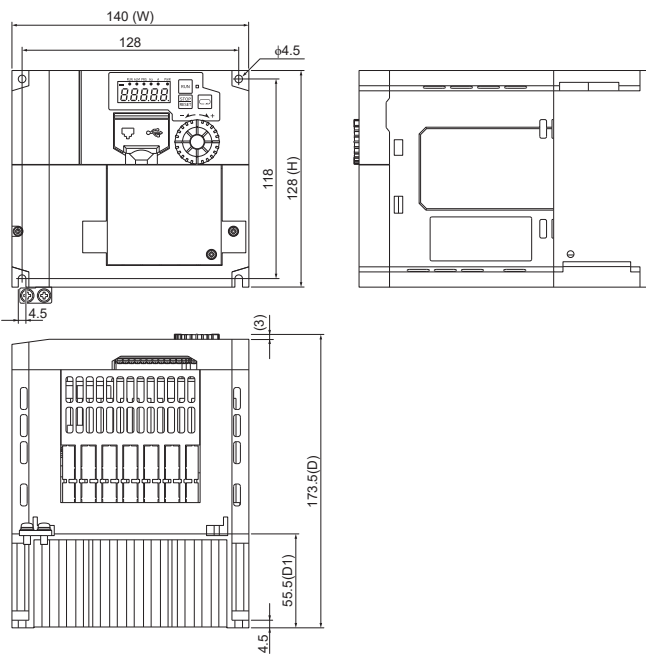


Fig.4

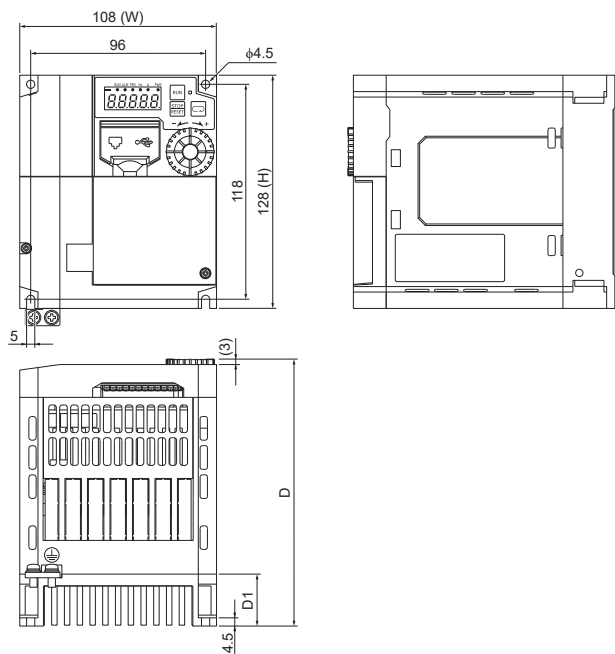


Fig.5

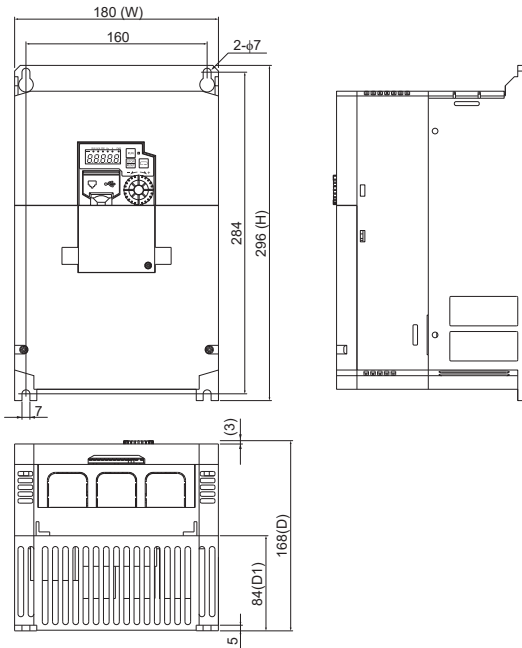
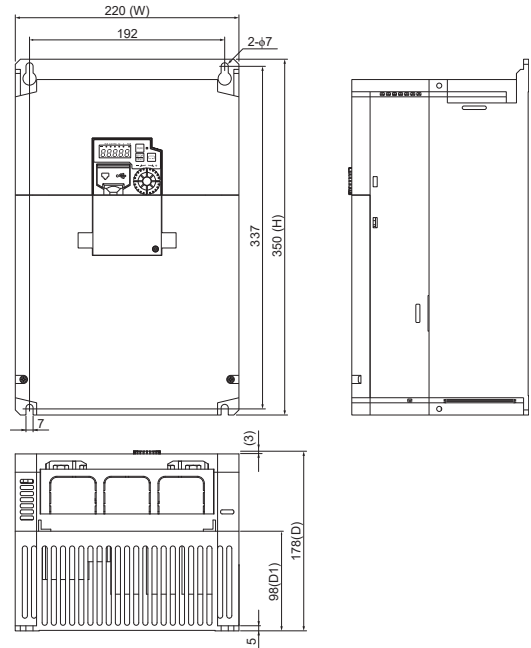


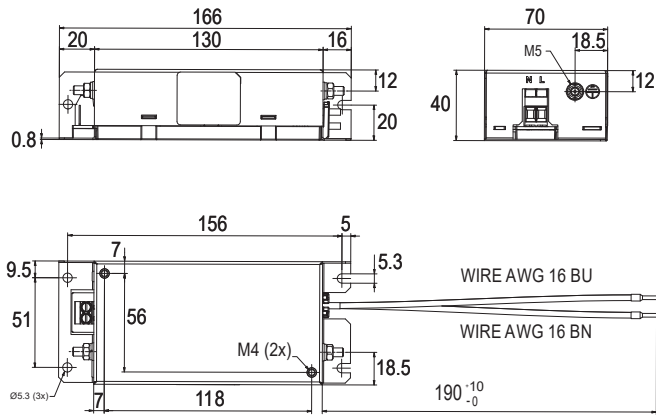
Fig.6



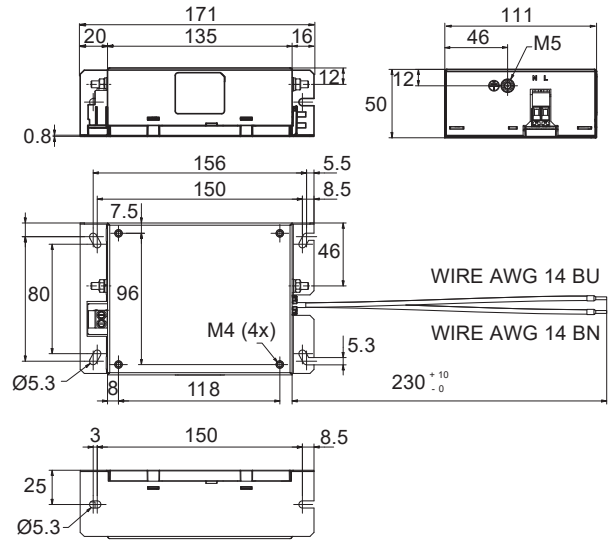
| Voltage class | Drive model 3G3MX2-A□ | Figure | Dimensions in mm | | | | | | | | | | |
|-----------------------|--------------------------|--------|------------------|-----|-----|-----|-----|-------|------|------|-----|-------------|-----|
| | | | W | W1 | H | H1 | t | D | D1 | D2 | d | Weight (kg) | |
| Single-phase 200 V | B001-EV2 | 1 | 68 | 56 | 128 | 118 | - | 112 | 13.5 | - | - | 1.0 | |
| | B002-EV2 | | | | | | | 125.5 | 27 | | | | 1.1 |
| | B004-EV2 | | | | | | | 173.5 | 55 | | | | |
| | B007-EV2 | 2 | 108 | 96 | - | - | 4.4 | 4.5 | 1.8 | | | | |
| | B015-EV2 | | | | | | | | | | | | |
| B022-EV2 | | | | | | | | | | | | | |
| Three-phase 200 V | 2001-EV2 | 1 | 68 | 56 | 128 | 118 | - | 112 | 13.5 | - | - | 1.0 | |
| | 2002-EV2 | | | | | | | 125.5 | 27 | | | | 1.1 |
| | 2004-EV2 | | | | | | | 148.5 | 50 | | | | |
| | 2007-EV2 | 2 | 108 | 96 | - | - | 4.4 | 4.5 | 1.8 | | | | |
| | 2015-EV2 | | | | | | | | | | | | |
| | 2022-EV2 | | | | | | | | | | | | |
| | 2037-EV2 | 3 | 140 | 128 | 5 | 178 | 98 | 5 | 7 | 2.0 | | | |
| | 2055-EV2 | 4 | 122 | 260 | 248 | 6 | 158 | | | 73.3 | 6 | 6 | 3.5 |
| | 2075-EV2 | 5 | 180 | 160 | 296 | 284 | 7 | 168 | 84 | 5 | 7 | 4.5 | |
| | 2110-EV2 | | | | | | | 178 | 98 | | | | 6.5 |
| 2150-EV2 | 173.5 | | | | | | | 55 | | | | | |
| Three-phase 400 V | 4004-EV2 | 2 | 108 | 96 | 128 | 118 | - | 146.5 | 28 | - | - | 1.5 | |
| | 4007-EV2 | | | | | | | 173.5 | 55 | | | | 1.8 |
| | 4015-EV2 | | | | | | | | | | | | |
| | 4022-EV2 | 3 | 140 | 128 | 128 | 118 | 5 | 173.5 | 55 | 4.4 | 4.5 | 2.0 | |
| | 4030-EV2 | | | | | | | | | | | | |
| | 4040-EV2 | 4 | 122 | 260 | 248 | 6 | 158 | 73.3 | 6 | 6 | 3.5 | | |
| | 4055-EV2 | 5 | 180 | 160 | 296 | 284 | 7 | 168 | 97 | 5 | 7 | 4.5 | |
| | 4075-EV2 | | | | | | | | | | | | |
| 4110-EV2 | | | | | | | | | | | | | |
| 4150-EV2 | | | | | | | | | | | | | |

Line filters

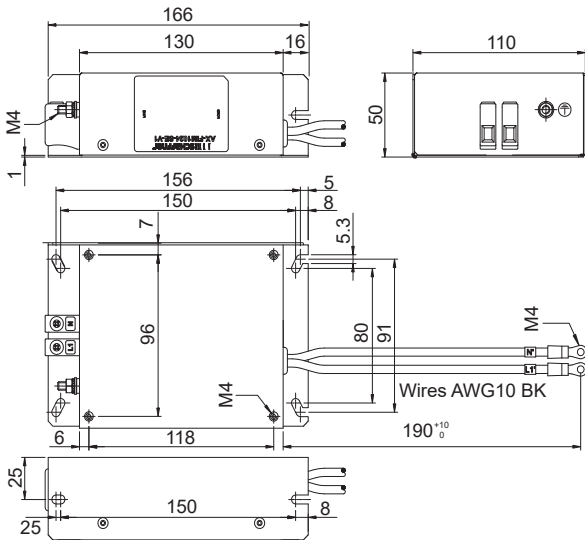
AX-FIC1010-SE



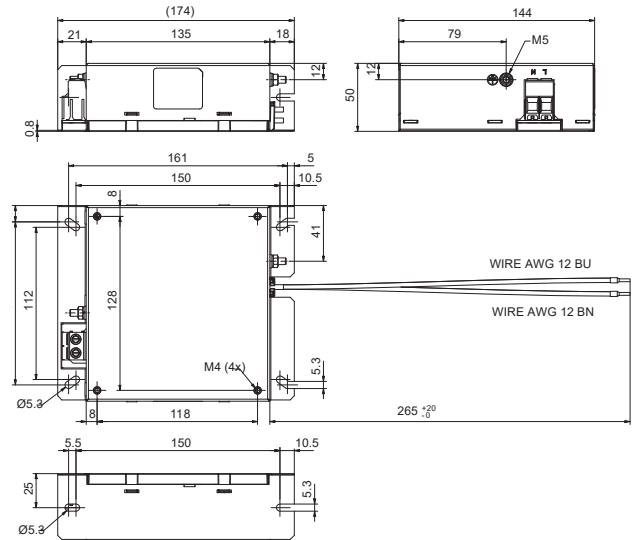
AX-FIC1020-SE



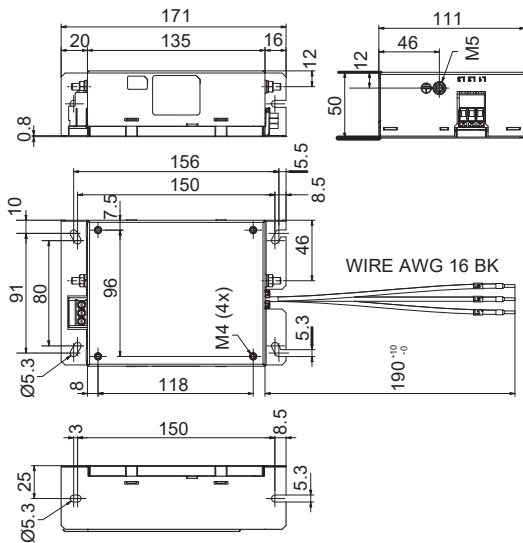
AX-FIM1024-SE



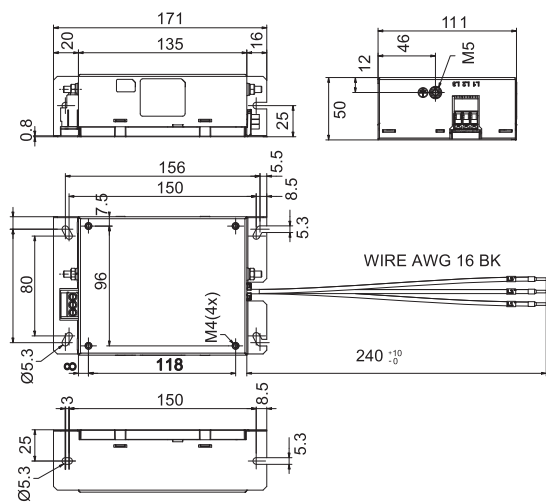
AX-FIC1030-SE



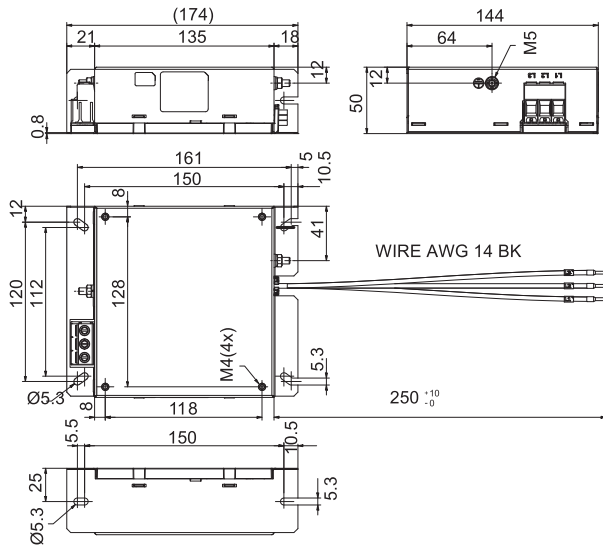
AX-FIC4005-SE



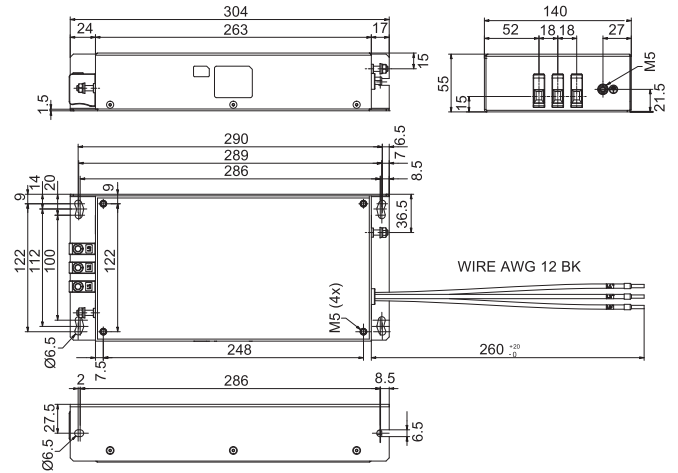
AX-FIC4010-SE



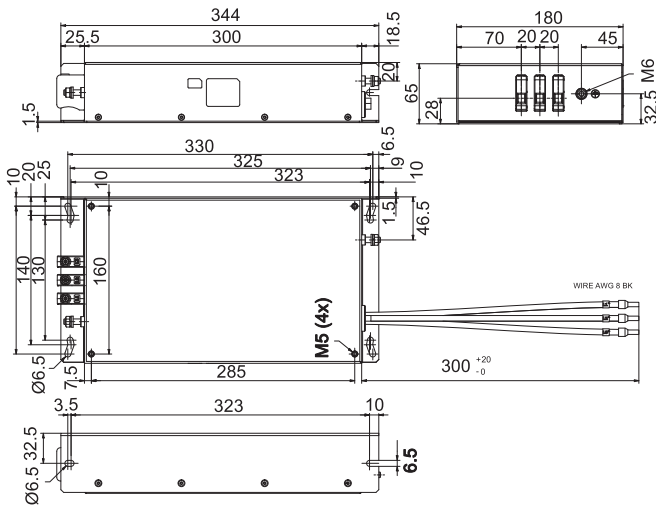
AX-FIC4015-SE



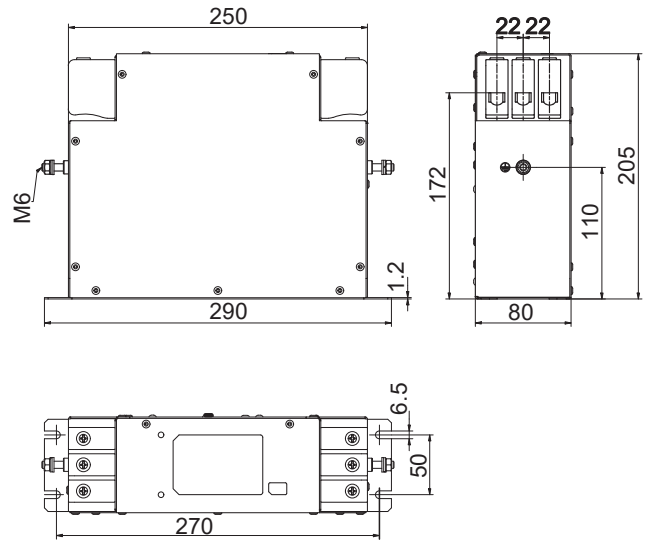
AX-FIC4030-SE



AX-FIC4050-SE



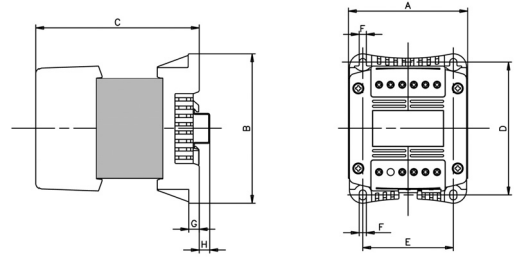
AX-FIC4080-SE



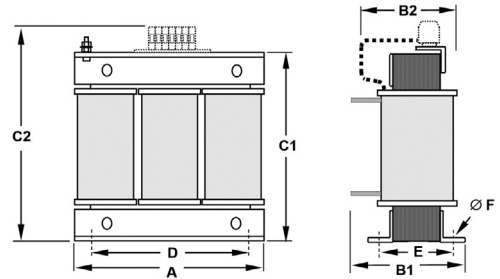
Note: LL filters has same dimensions than standard ones.

Input AC Reactor

| Voltage | Reference | Dimensions | | | | | | | | Weight (kg) |
|--------------------|-------------------|------------|-----|-----|-----|----|---|-----|---|-------------|
| | | A | B | C | D | E | F | G | H | |
| Single phase 200 V | AX-RAI02000070-DE | 84 | 113 | 96 | 101 | 66 | 5 | 7.5 | 2 | 1.22 |
| | AX-RAI01700140-DE | 84 | 113 | 116 | 101 | 66 | 5 | 7.5 | 2 | 1.95 |
| | AX-RAI01200200-DE | 84 | 113 | 131 | 101 | 66 | 5 | 7.5 | 2 | 2.55 |
| | AX-RAI00630240-DE | 84 | 113 | 116 | 101 | 66 | 5 | 7.5 | 2 | 1.95 |

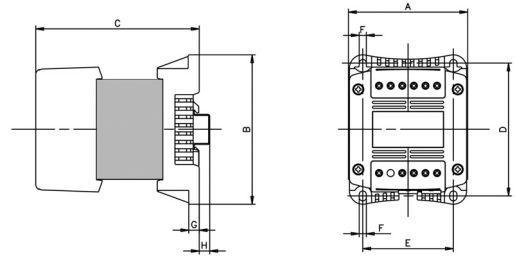


| Voltage | Reference | Dimensions | | | | | | Weight (kg) |
|-------------------|-------------------|------------|----|-----|-----|----|-----|-------------|
| | | A | B2 | C2 | D | E | F | |
| Three phase 200 V | AX-RAI02800080-DE | 120 | 70 | 120 | 80 | 52 | 5.5 | 1.75 |
| | AX-RAI00880200-DE | 120 | 80 | 120 | 80 | 62 | 5.5 | 2.35 |
| | AX-RAI00350335-DE | 180 | 85 | 190 | 140 | 55 | 6 | 5.5 |
| | AX-RAI00180670-DE | 180 | 85 | 190 | 140 | 55 | 6 | 5.5 |
| Three phase 400 V | AX-RAI07700050-DE | 120 | 70 | 120 | 80 | 52 | 5.5 | 1.78 |
| | AX-RAI03500100-DE | 120 | 80 | 120 | 80 | 62 | 5.5 | 2.35 |
| | AX-RAI01300170-DE | 120 | 80 | 120 | 80 | 62 | 5.5 | 2.50 |
| | AX-RAI00740335-DE | 180 | 85 | 190 | 140 | 55 | 6 | 5.5 |



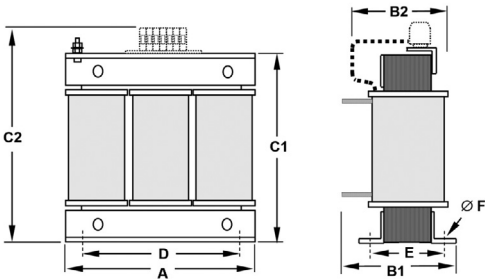
DC Reactor

| Voltage | Reference | Dimensions | | | | | | | | Weight (kg) |
|------------------|------------------|------------------|-----|-------|------|-----|-----|-----|-----|-------------|
| | | A | B | C | D | E | F | G | H | |
| 200 V | AX-RC21400016-DE | 84 | 113 | 96 | 101 | 66 | 5 | 7.5 | 2 | 1.22 |
| | AX-RC10700032-DE | | | 1.60 | | | | | | |
| | AX-RC06750061-DE | | | 105 | | | | | | 1.60 |
| | AX-RC03510093-DE | | | 116 | | | | | | 1.95 |
| | AX-RC01600223-DE | 108 | 135 | 124 | 120 | 82 | 6.5 | 9.5 | 9.5 | 3.20 |
| | AX-RC01110309-DE | 120 | 152 | 136 | 135 | 94 | 7 | - | - | 5.20 |
| | AX-RC00840437-DE | | | 146 | | | | | | 6.00 |
| | AX-RC00590614-DE | 150 | 177 | 160 | 160 | 115 | | 2 | | 11.4 |
| | AX-RC00440859-DE | | | 182.6 | | | | | | 14.3 |
| | 400 V | AX-RC43000020-DE | 84 | 113 | 96 | 101 | 66 | 5 | 7.5 | 2 |
| AX-RC27000030-DE | | 1.60 | | | | | | | | |
| AX-RC14000047-DE | | 105 | | | 1.60 | | | | | |
| AX-RC10100069-DE | | 116 | | | 1.95 | | | | | |
| AX-RC06400116-DE | | 108 | 135 | 133 | 120 | 82 | 6.5 | 9.5 | 9.5 | 3.70 |
| AX-RC04410167-DE | | 120 | 152 | 136 | 135 | 94 | 7 | - | - | 5.20 |
| AX-RC03350219-DE | | | | 146 | | | | | | 6.00 |
| AX-RC02330307-DE | | 150 | 177 | 160 | 160 | 115 | | 2 | | 11.4 |
| AX-RC01750430-DE | | | | 183 | | | | | | 14.3 |



Output Reactor

| Voltage | Reference | Dimensions | | | | | | Weight (kg) |
|---------|-------------------|------------|-----|-----|-----|----|-----|-------------|
| | | A | B2 | C2 | D | E | F | |
| 200 V | AX-RAO11500026-DE | 120 | 70 | 120 | 80 | 52 | 5.5 | 1.78 |
| | AX-RAO07600042-DE | | 70 | | | | | |
| | AX-RAO04100075-DE | | 80 | | | | | |
| | AX-RAO03000105-DE | 80 | | | | | | 2.35 |
| | AX-RAO01830180-DE | 180 | 85 | 195 | 140 | 55 | 6 | 5.5 |
| | AX-RAO01150220-DE | | 85 | | | | | |
| | AX-RAO00950320-DE | | 85 | 210 | | | | |
| | AX-RAO00630430-DE | | 95 | | | | | |
| | AX-RAO00490640-DE | | 105 | | | | | |
| 400 V | AX-RAO16300038-DE | 120 | 80 | 120 | 80 | 62 | 5.5 | 2.35 |
| | AX-RAO11800053-DE | | 80 | | | | | |
| | AX-RAO07300080-DE | 180 | 95 | 195 | 140 | 55 | 6 | 5.5 |
| | AX-RAO04600110-DE | | 85 | | | | | |
| | AX-RAO03600160-DE | | 85 | 210 | | | | |
| | AX-RAO02500220-DE | | 95 | | | | | |
| | AX-RAO02000320-DE | | 240 | | | | | |



Chokes

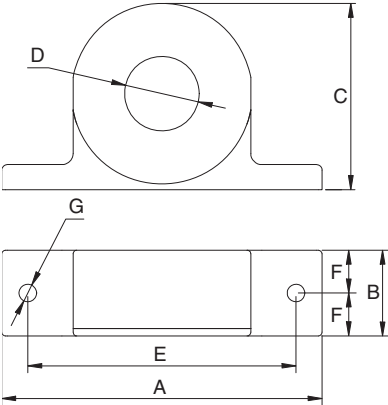


Figure 1

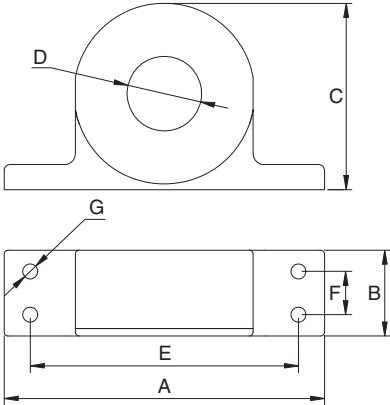


Figure 2

| Reference | Fig | D (diameter) | Motor (kW) | Dimensions (mm) | | | | | | | Weight (kg) |
|---------------|-----|--------------|------------|-----------------|----|-----|----|-----|------|--------------|-------------|
| | | | | A | B | C | D | E | F | G (diameter) | |
| AX-FER2102-PE | 1 | 21 | < 2.2 | 86 | 24 | 50 | 21 | 70 | 12 | 4 | 0.09 |
| AX-FER2815-PE | | 28 | < 15 | 106 | 25 | 65 | 28 | 90 | 12.5 | | 0.22 |
| AX-FER5045-PE | 2 | 50 | < 45 | 150 | 51 | 112 | 50 | 125 | 30 | 5 | 0.53 |

Resistor dimensions

AX-REM00K1400-IE

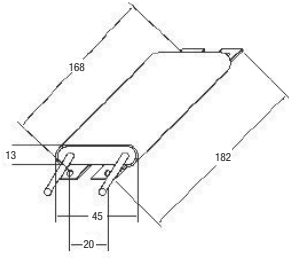


Fig 1

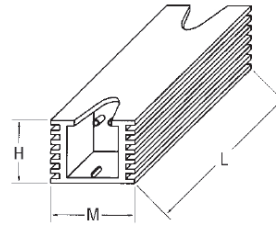


Fig 2

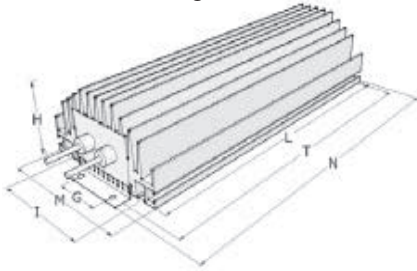


Fig 3

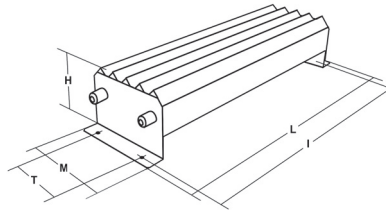
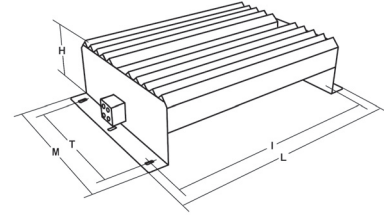
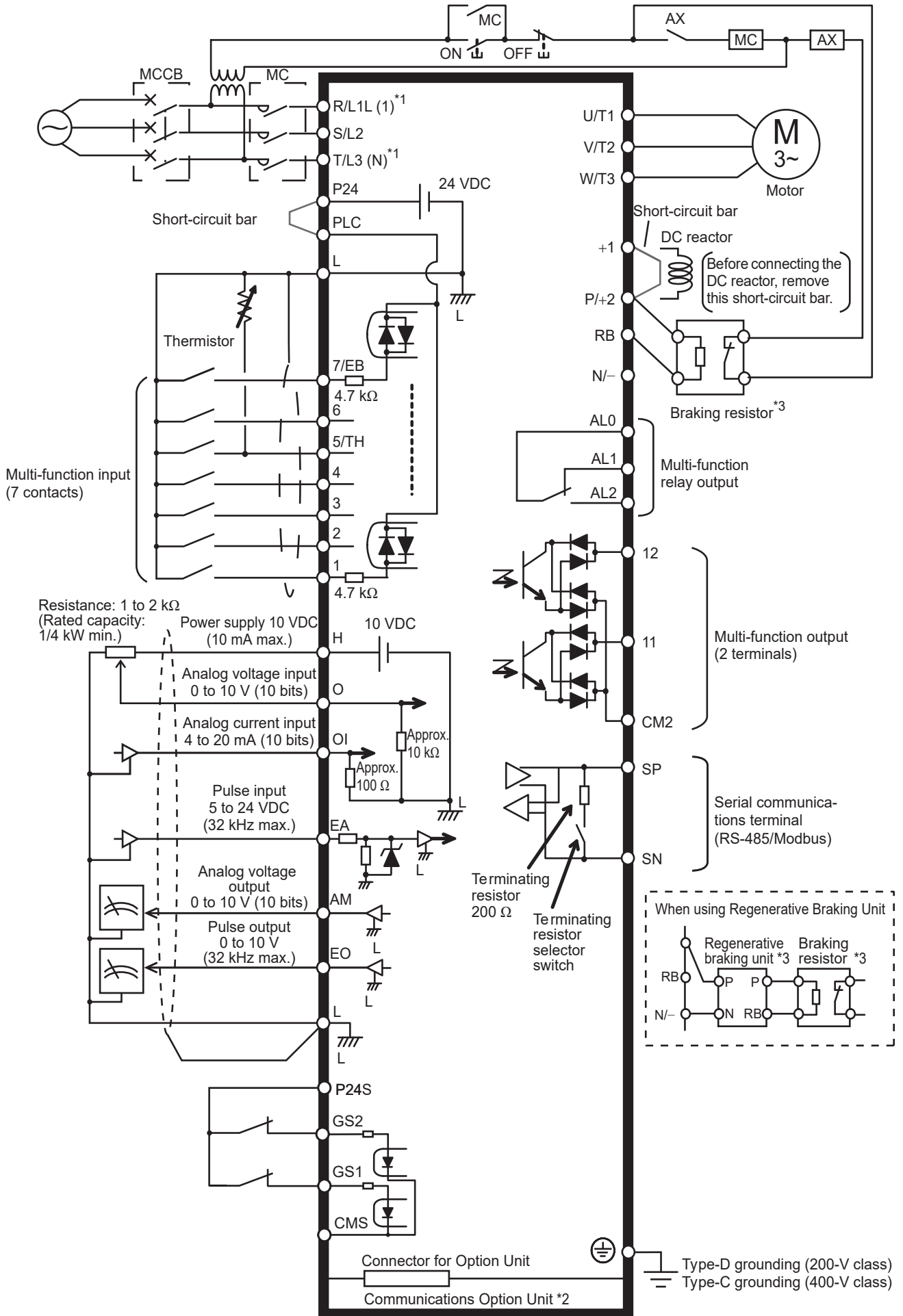


Fig 4



| Type | Fig. | Dimensions | | | | | | | Weight (kg) |
|------------------|------|------------|-----|----------|------|------|-----|-----|-------------|
| | | L | H | M | I | T | G | N | |
| AX-REM00K2070-IE | 1 | 105 | 27 | 36 | 94 | - | - | - | 0.2 |
| AX-REM00K2120-IE | | 200 | 27 | | 189 | - | - | - | |
| AX-REM00K2200-IE | | | | | | | | | |
| AX-REM00K4075-IE | | 260 | 27 | 249 | 309 | - | - | - | 0.425 |
| AX-REM00K4035-IE | | | | | | | | | |
| AX-REM00K4030-IE | | | | | | | | | |
| AX-REM00K5120-IE | | 320 | 27 | 100 | 74.5 | 216 | 40 | 230 | 1.41 |
| AX-REM00K6100-IE | | | | | | | | | |
| AX-REM00K6035-IE | | 2 | 200 | 61 73 | 100 | 74.5 | 216 | 40 | 230 |
| AX-REM00K9070-IE | | | | | | | | | |
| AX-REM00K9020-IE | | | | | | | | | |
| AX-REM00K9017-IE | 3 | 365 | 105 | 350 | 70 | - | - | 4 | |
| AX-REM01K9070-IE | | | | | | | | | |
| AX-REM01K9017-IE | 4 | 310 | 100 | 240 | 295 | 210 | - | - | 7 |
| AX-REM02K1070-IE | | | | | | | | | |
| AX-REM02K1017-IE | | | | | | | | | |
| AX-REM03K5035-IE | 365 | 365 | 100 | 240 | 295 | 210 | - | - | 8 |

Standard connections



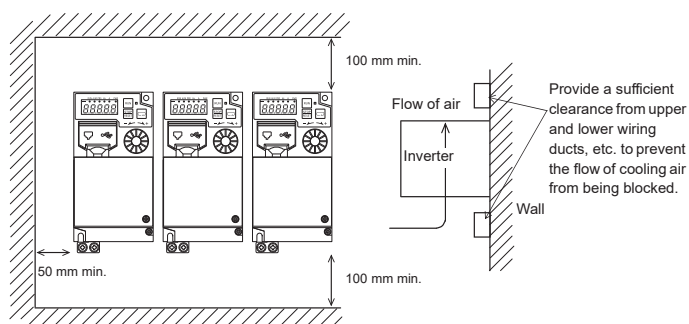
Terminal Block Specifications

| Terminal | Name | Function (signal level) |
|------------------|------------------------------------|---|
| R/L1, S/L2, T/L3 | Main circuit power supply input | Used to connect line power to the drive. Drives with single-phase 200 V input power use only terminals R/L1 and N (T/L3), terminal S/L2 is not available for these units |
| U/T1, V/T2, W/T3 | Drive output | Used to connect the motor |
| PD/+1, P/+ | External DC reactor terminal | Normally connected by the short-circuit bar. Remove the short-circuit bar between +1 and P/+2 when a DC reactor is connected. |
| P/+, N/- | Regenerative braking unit terminal | Connect optional regenerative braking units (If a braking torque is required) |
| P/+, RB | Braking resistor terminals | Connect option braking resistor (if a braking torque is required) |
| ⊕ | Grounding | For grounding (grounding should conform to the local grounding code.) |

Control Circuit

| Type | No. | Signal name | Function | Signal level |
|------------------------|--|---|---|--|
| Digital input signals | PLC | Intelligent input common | Source type: connecting [P24] to [1]-[7] turns inputs ON Sink type: connecting [L] to [1]-[7] turns inputs ON | - |
| | P24 | Internal 24 VDC | 24 VDC, 30mA | 24 VDC, 100 mA |
| | 1 | Multi-function Input selection 1 | Factory setting: Forward/ Stop | 27 VDC max |
| | 2 | Multi-function Input selection 2 | Factory setting: Reverse/ Stop | |
| | 3 | Multi-function Input selection 3 | Factory setting: External trip | |
| | 4 | Multi-function Input selection 4 | Factory setting: Reset | |
| | 5/PTC | Multi-function Input selection 5 / PTC thermistor input | Factory setting: Multi-step speed reference 1 | |
| | 6 | Multi-function input selection 6 | Factory setting: Multi-step speed reference 2 | |
| | 7/EB | Multi-function input selection 7 / Pulse train input B | Factory setting: Jog | |
| L | Multi-function Input selection common (in upper row) | - | | |
| Pulse train | EA | Pulse train input A | Factory setting: Speed reference | 32 kHz max 5 to 24 VDC |
| | EO | Pulse train output | LAD frequency | 10 VDC 2 mA 32 kHz max |
| Analog input signal | H | Frequency reference power supply | 10 VDC 10 mA max | |
| | O | Voltage frequency reference signal | 0 to 10 VDC (10 kΩ) | |
| | OI | Current frequency reference signal | 4 to 20 mA (100 Ω) | |
| | L | Frequency reference common (bottom row) | - | |
| Digital output signals | 11/EDM | Discrete logic output 1 / EDM output | Factory setting: During Run | 27 VDC, 50 mA max EDM based on ISO13849-1 |
| | 12 | Discrete logic output 2 | Factory setting: Frequency arrival type 1 | |
| | CM2 | GND logic output | - | |
| | AL0 | Relay common contact | Factory setting: Alarm signal Under normal operation | R load 250 VAC 2.5 A 30 VDC 3.0 A I load 250 VAC 0.2 A 30 VDC 0.7 A |
| | AL1 | Relay contact, normally open | AL1 - AL0 Closed AL2 - AL0 Open | |
| AL2 | Relay contact, normally closed | | | |
| Monitor Signal | AM | Analog voltage output | Factory setting: LAD frequency | 0 to 10 VDC 1 mA |
| Comms | SP | Serial communication terminal | RS485 Modbus communication | |
| | SN | | | |
| Safety | P24S | 24V supply for safety | 24VDC power supply for connecting safety contacts | |
| | GS1 | Safe input 1 | Safety input terminal 1 | |
| | GS2 | Safe input 2 | Safety input terminal 2 | |
| | CMS | Safety inputs common | Common for the safety input terminals | |

Side by side mounting



Drive heat loss

Single-phase 200 V class

| Model 3G3MX2-EV2 | | AB001 | AB002 | AB004 | AB007 | AB015 | AB022 |
|--------------------------|---------|--------------|-------|-------|-------|--------------------|-------|
| Drive capacity kVA | 200V VT | 0.4 | 0.6 | 1.2 | 2.0 | 3.3 | 4.1 |
| | 200V CT | 0.2 | 0.5 | 1.0 | 1.7 | 2.7 | 3.8 |
| | 240V VT | 0.4 | 0.7 | 1.4 | 2.4 | 3.9 | 4.9 |
| | 240V CT | 0.3 | 0.6 | 1.2 | 2.0 | 3.3 | 4.5 |
| Rated current (A) VT | | 1.2 | 1.9 | 3.4 | 6.0 | 9.6 | 12.0 |
| Rated current (A) CT | | 1.0 | 1.6 | 3.0 | 5.0 | 8.0 | 11.0 |
| Total heat loss | | 12 | 22 | 30 | 48 | 79 | 104 |
| Efficiency at rated load | | 89.5 | 90 | 93 | 94 | 95 | 95.5 |
| Cooling Method | | Self cooling | | | | Forced-air-cooling | |

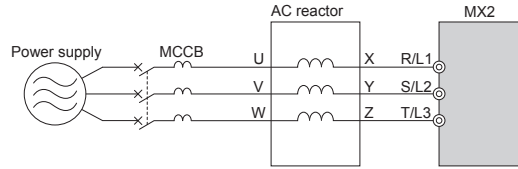
Three-phase 200 V class

| Model 3G3MX2-EV2 | | A2001 | A2002 | A2004 | A2007 | A2015 | A2022 | A2037 | A2055 | A2075 | A2110 | A2150 |
|--------------------------|--------|--------------|-------|-------|-------|-------|--------------------|-------|-------|-------|-------|-------|
| Drive capacity kVA | 200 VT | 0.4 | 0.6 | 1.2 | 2.0 | 3.3 | 4.1 | 6.7 | 10.3 | 13.8 | 19.3 | 23.9 |
| | 200 CT | 0.2 | 0.5 | 1.0 | 1.7 | 2.7 | 3.8 | 6.0 | 8.6 | 11.4 | 16.2 | 20.7 |
| | 240 VT | 0.4 | 0.7 | 1.4 | 2.4 | 3.9 | 4.9 | 8.1 | 12.4 | 16.6 | 23.2 | 28.6 |
| | 240 CT | 0.3 | 0.6 | 1.2 | 2.0 | 3.3 | 4.5 | 7.2 | 10.3 | 13.7 | 19.5 | 24.9 |
| Rated current (A) VT | | 1.2 | 1.9 | 3.4 | 6.0 | 9.6 | 12.0 | 19.6 | 30.0 | 40.0 | 56.0 | 69.0 |
| Rated current (A) CT | | 1.0 | 1.6 | 3.0 | 5.0 | 8.0 | 11.0 | 17.5 | 25.0 | 33.0 | 47.0 | 60.0 |
| Total heat loss | | 12 | 22 | 30 | 48 | 79 | 104 | 154 | 229 | 313 | 458 | 625 |
| Efficiency at rated load | | 89.5 | 90 | 93 | 94 | 95 | 95.5 | 96 | 96 | 96 | 96 | 96 |
| Cooling Method | | Self cooling | | | | | Forced-air-cooling | | | | | |

Three-phase 400 V class

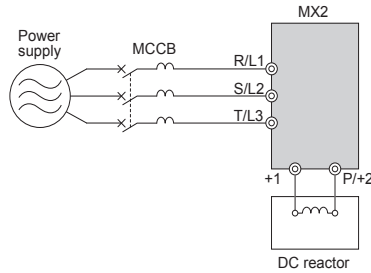
| Model 3G3MX2-EV2 | | A4004 | A4007 | A4015 | A4022 | A4030 | A4040 | A4055 | A4075 | A4110 | A4150 |
|--------------------------|---------|--------------|--------------------|-------|-------|-------|-------|-------|-------|-------|-------|
| Drive capacity kVA | 380V VT | 1.3 | 2.6 | 3.5 | 4.5 | 5.7 | 7.3 | 11.5 | 15.1 | 20.4 | 25.0 |
| | 380V CT | 1.1 | 2.2 | 3.1 | 3.6 | 4.7 | 6.0 | 9.7 | 11.8 | 15.7 | 20.4 |
| | 480V VT | 1.7 | 3.4 | 4.4 | 5.7 | 7.3 | 9.2 | 14.5 | 19.1 | 25.7 | 31.5 |
| | 480V CT | 1.4 | 2.8 | 3.9 | 4.5 | 5.9 | 7.6 | 12.3 | 14.9 | 19.9 | 25.7 |
| Rated current (A) VT | | 2.1 | 4.1 | 5.4 | 6.9 | 8.8 | 11.1 | 17.5 | 23.0 | 31.0 | 38.0 |
| Rated current (A) CT | | 1.8 | 3.4 | 4.8 | 5.5 | 7.2 | 9.2 | 14.8 | 18.0 | 24.0 | 31.0 |
| Total heat loss | | 35 | 56 | 96 | 116 | 125 | 167 | 229 | 296 | 411 | 528 |
| Efficiency at rated load | | 92 | 93 | 94 | 95 | 96 | 96 | 96 | 96.2 | 96.4 | 96.6 |
| Cooling Method | | Self cooling | Forced-air-cooling | | | | | | | | |

Input AC Reactor



| 1 phase 200 V class | | | | 3 phase 200 V class | | | | 400 V class | | | |
|---------------------------------|-------------------|-----------------|------|---------------------------------|-------------------|-----------------|------|---------------------------------|-------------------|-----------------|------|
| Max. applicable motor output kW | Reference | Current value A | mH | Max. applicable motor output kW | Reference | Current value A | mH | Max. applicable motor output kW | Reference | Current value A | MH |
| 0.4 | AX-RAI02000070-DE | 7.0 | 2.0 | 1.5 | AX-RAI02800080-DE | 8.0 | 2.8 | 1.5 | AX-RAI07700050-DE | 5.0 | 7.7 |
| 0.75 | AX-RAI01700140-DE | 14.0 | 1.7 | 3.7 | AX-RAI00880200-DE | 20.0 | 0.88 | 4.0 | AX-RAI03500100-DE | 10.0 | 3.5 |
| 1.5 | AX-RAI01200200-DE | 20.0 | 1.2 | 7.5 | AX-RAI00350335-DE | 33.5 | 0.35 | 7.5 | AX-RAI01300170-DE | 17.0 | 1.3 |
| 2.2 | AX-RAI00630240-DE | 24.0 | 0.63 | 15 | AX-RAI00180670-DE | 67.0 | 0.18 | 15 | AX-RAI00740335-DE | 33.5 | 0.74 |

DC Reactor

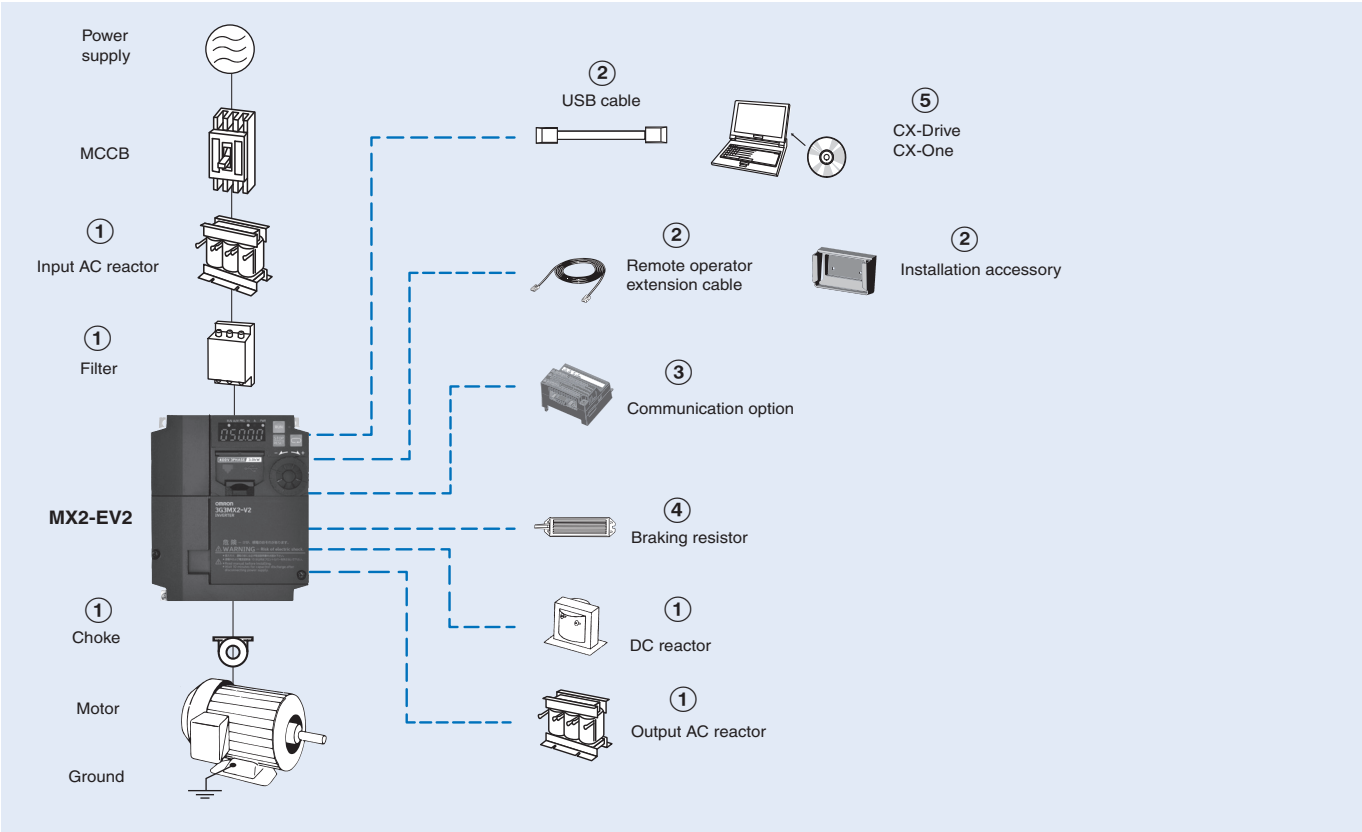


| 200 V class | | | | 400 V class | | | |
|---------------------------------|------------------|-----------------|---------------|---------------------------------|------------------|-----------------|---------------|
| Max. applicable motor output kW | Reference | Current value A | Inductance mH | Max. applicable motor output kW | Reference | Current value A | Inductance mH |
| 0.2 | AX-RC21400016-DE | 1.6 | 21.4 | 0.4 | AX-RC43000020-DE | 2.0 | 43.0 |
| 0.4 | AX-RC10700032-DE | 3.2 | 10.7 | 0.7 | AX-RC27000030-DE | 3.0 | 27.0 |
| 0.7 | AX-RC06750061-DE | 6.1 | 6.75 | 1.5 | AX-RC14000047-DE | 4.7 | 14.0 |
| 1.5 | AX-RC03510093-DE | 9.3 | 3.51 | 2.2 | AX-RC10100069-DE | 6.9 | 10.1 |
| 2.2 | AX-RC02510138-DE | 13.8 | 2.51 | 3.0 to 4.0 | AX-RC06400116-DE | 11.6 | 6.40 |
| 3.7 | AX-RC01600223-DE | 22.3 | 1.60 | 5.5 | AX-RC04410167-DE | 16.7 | 4.41 |
| 5.5 | AX-RC01110309-DE | 30.9 | 1.11 | 7.5 | AX-RC03350219-DE | 21.9 | 3.35 |
| 7.5 | AX-RC00840437-DE | 43.7 | 0.84 | 11.0 | AX-RC02330307-DE | 30.7 | 2.33 |
| 11.0 | AX-RC00590614-DE | 61.4 | 0.59 | 15.0 | AX-RC01750430-DE | 43.0 | 1.75 |
| 15.0 | AX-RC00440859-DE | 85.9 | 0.44 | | - | | |

Output AC Reactor

| 200 V class | | | | 400 V class | | | |
|---------------------------------|-------------------|-----------------|---------------|---------------------------------|-------------------|-----------------|---------------|
| Max. applicable motor output kW | Reference | Current value A | Inductance mH | Max. applicable motor output kW | Reference | Current value A | Inductance mH |
| 0.4 | AX-RAO11500026-DE | 2.6 | 11.50 | 1.5 | AX-RAO16300038-DE | 3.8 | 16.30 |
| 0.75 | AX-RAO07600042-DE | 4.2 | 7.60 | | | | |
| 1.5 | AX-RAO04100075-DE | 7.5 | 4.10 | | | | |
| 2.2 | AX-RAO03000105-DE | 10.5 | 3.00 | 2.2 | AX-RAO11800053-DE | 5.3 | 11.80 |
| 3.7 | AX-RAO01830160-DE | 16.0 | 1.83 | 4.0 | AX-RAO07300080-DE | 8.0 | 7.30 |
| 5.5 | AX-RAO01150220-DE | 22.0 | 1.15 | 5.5 | AX-RAO04600110-DE | 11.0 | 4.60 |
| 7.5 | AX-RAO00950320-DE | 32.0 | 0.95 | 7.5 | AX-RAO03600160-DE | 16.0 | 3.60 |
| 11 | AX-RAO00630430-DE | 43.0 | 0.63 | 11 | AX-RAO02500220-DE | 22.0 | 2.50 |
| 15 | AX-RAO00490640-DE | 64.0 | 0.49 | 15 | AX-RAO02000320-DE | 32.0 | 2.00 |

Ordering information



| Voltage class | Specifications | | | | Model |
|-----------------------|-----------------|-----------------|-----------------|-----------------|------------------|
| | Constant torque | | Variable torque | | Standard |
| | Max motor kW | Rated current A | Max motor kW | Rated current A | |
| Single-phase 200 V | 0.1 | 1.0 | 0.2 | 1.2 | 3G3MX2-AB001-EV2 |
| | 0.2 | 1.6 | 0.4 | 1.9 | 3G3MX2-AB002-EV2 |
| | 0.4 | 3.0 | 0.55 | 3.5 | 3G3MX2-AB004-EV2 |
| | 0.75 | 5.0 | 1.1 | 6.0 | 3G3MX2-AB007-EV2 |
| | 1.5 | 8.0 | 2.2 | 9.6 | 3G3MX2-AB015-EV2 |
| | 2.2 | 11.0 | 3.0 | 12.0 | 3G3MX2-AB022-EV2 |
| Three-phase 200 V | 0.1 | 1.0 | 0.2 | 1.2 | 3G3MX2-A2001-EV2 |
| | 0.2 | 1.6 | 0.4 | 1.9 | 3G3MX2-A2002-EV2 |
| | 0.4 | 3.0 | 0.55 | 3.5 | 3G3MX2-A2004-EV2 |
| | 0.75 | 5.0 | 1.1 | 6.0 | 3G3MX2-A2007-EV2 |
| | 1.5 | 8.0 | 2.2 | 9.6 | 3G3MX2-A2015-EV2 |
| | 2.2 | 11.0 | 3.0 | 12.0 | 3G3MX2-A2022-EV2 |
| | 3.7 | 17.5 | 5.5 | 19.6 | 3G3MX2-A2037-EV2 |
| | 5.5 | 25.0 | 7.5 | 30.0 | 3G3MX2-A2055-EV2 |
| | 7.5 | 33.0 | 11 | 40.0 | 3G3MX2-A2075-EV2 |
| | 11 | 47.0 | 15 | 56.0 | 3G3MX2-A2110-EV2 |
| Three-phase 400 V | 0.4 | 1.8 | 0.75 | 2.1 | 3G3MX2-A4004-EV2 |
| | 0.75 | 3.4 | 1.5 | 4.1 | 3G3MX2-A4007-EV2 |
| | 1.5 | 4.8 | 2.2 | 5.4 | 3G3MX2-A4015-EV2 |
| | 2.2 | 5.5 | 3.0 | 6.9 | 3G3MX2-A4022-EV2 |
| | 3.0 | 7.2 | 4.0 | 8.8 | 3G3MX2-A4030-EV2 |
| | 4.0 | 9.2 | 5.5 | 11.1 | 3G3MX2-A4040-EV2 |
| | 5.5 | 14.8 | 7.5 | 17.5 | 3G3MX2-A4055-EV2 |
| | 7.5 | 18.0 | 11 | 23.0 | 3G3MX2-A4075-EV2 |
| | 11 | 24.0 | 15 | 31.0 | 3G3MX2-A4110-EV2 |
| | 15 | 31.0 | 18.5 | 38.0 | 3G3MX2-A4150-EV2 |

① Line filters

| Drive | | Standard | | Low leakage | |
|-------------------|-----------------------|-----------------------------|-------------|--------------------------------|-------------|
| Voltage | Model 3G3MX2-EV2 | Reference | Current (A) | Reference | Current (A) |
| 1Phase 200 VAC | AB001 / AB002 / AB004 | AX-FIC1010-SE | 7.3 | AX-FIC1010-SE-LL | 7.3 |
| | AB007 | AX-FIC1020-SE | 13.8 | AX-FIC1020-SE-LL | 13.8 |
| | AB015 | AX-FIM1024-SE ^{*1} | 27 | AX-FIM1024-SE-LL ^{*1} | 27 |
| | | AX-FIC1030-SE ^{*2} | 24 | AX-FIC1030-SE-LL ^{*2} | 24 |
| | | AX-FIC1030-SE ^{*2} | 24 | AX-FIC1030-SE-LL ^{*2} | 24 |
| 3Phase 200 VAC | A2001 / A2002 / A2004 | AX-FIC4005-SE ^{*2} | 4.3 | AX-FIC4005-SE-LL | 4.3 |
| | A2007 | AX-FIC4010-SE ^{*2} | 9.4 | AX-FIC4010-SE-LL | 9.4 |
| | A2015 / A2022 | AX-FIC4015-SE ^{*2} | 14 | AX-FIC4015-SE-LL | 14 |
| | A2037 | AX-FIC4030-SE ^{*2} | 24 | AX-FIC4030-SE-LL | 24 |
| | A2055 / A2075 | AX-FIC4050-SE ^{*2} | 44 | AX-FIC4050-SE-LL | 44 |
| | A2075 / A2110 / A2150 | AX-FIC4080-SE ^{*2} | 81 | AX-FIC4080-SE-LL | 81 |
| 3Phase 400 VAC | A4004 / A4007 | AX-FIC4005-SE | 4.3 | AX-FIC4005-SE-LL | 4.3 |
| | A4015 / A4022 / A4030 | AX-FIC4010-SE | 9.4 | AX-FIC4010-SE-LL | 9.4 |
| | A4040 | AX-FIC4015-SE | 14 | AX-FIC4015-SE-LL | 14 |
| | A4055 / A4075 | AX-FIC4030-SE | 24 | AX-FIC4030-SE-LL | 24 |
| | A4110 / A4150 | AX-FIC4050-SE | 44 | AX-FIC4050-SE-LL | 44 |

*1. No UL approved

*2. No footprint

① Input AC reactors

| Drive | | AC Reactor |
|-----------------|-----------------------|-------------------|
| Voltage | Model 3G3MX2-EV2□ | Reference |
| 1-Phase 200 VAC | AB002 / AB004 | AX-RAI02000070-DE |
| | AB007 | AX-RAI01700140-DE |
| | AB015 | AX-RAI01200200-DE |
| | AB022 | AX-RAI00630240-DE |
| 3-Phase 200 VAC | A2002 / A2004 / A2007 | AX-RAI02800080-DE |
| | A2015 / A2022 / A2037 | AX-RAI00880200-DE |
| | A2055 / A2075 | AX-RAI00350335-DE |
| | A2110 / A2150 | AX-RAI00180670-DE |
| 3-Phase 400 VAC | A4004 / A4007 / A4015 | AX-RAI07700050-DE |
| | A4022 / A4030 / A4040 | AX-RAI03500100-DE |
| | A4055 / A4075 | AX-RAI01300170-DE |
| | A4110 / A4150 | AX-RAI00740335-DE |

① DC reactors

| 200 V 1-phase | | 200 V 3-phase | | 400 V 3-phase | |
|---------------|------------------|---------------|------------------|---------------|------------------|
| 3G3MX2-EV2 | DC Reactor | 3G3MX2-EV2 | DC Reactor | 3G3MX2-EV2 | DC Reactor |
| AB001 | AX-RC10700032-DE | A2001 | AX-RC21400016-DE | A4004 | AX-RC43000020-DE |
| AB002 | | A2002 | | A4007 | AX-RC27000030-DE |
| AB004 | AX-RC06750061-DE | A2004 | AX-RC10700032-DE | A4015 | AX-RC14000047-DE |
| AB007 | AX-RC03510093-DE | A2007 | AX-RC06750061-DE | A4022 | AX-RC10100069-DE |
| AB015 | AX-RC02510138-DE | A2015 | AX-RC03510093-DE | A4030 / A4040 | AX-RC06400116-DE |
| AB022 | AX-RC01600223-DE | A2022 | AX-RC02510138-DE | A4055 | AX-RC04410167-DE |
| | | A2037 | AX-RC01600223-DE | A4075 | AX-RC03350219-DE |
| | | A2055 | AX-RC01110309-DE | A4110 | AX-RC02330307-DE |
| | | A2075 | AX-RC00840437-DE | A4150 | AX-RC01750430-DE |
| | | A2110 | AX-RC00590614-DE | | |
| | | A2150 | AX-RC00440859-DE | | |

① Chokes

| Model | Diameter | Description |
|---------------|----------|----------------------------|
| AX-FER2102-PE | 21 | For 2.2 KW motors or below |
| AX-FER2815-PE | 28 | For 15 KW motors or below |
| AX-FER5045-PE | 50 | For 45 KW motors or below |

① Output AC reactor

| Drive | | AC Reactor |
|---------|--|-------------------|
| Voltage | Model 3G3MX2-EV2□ | Reference |
| 200 VAC | AB001 / AB002 / AB004 A2001 / A2002 / A2004 | AX-RAO11500026-DE |
| | AB007 / A2007 | AX-RAO07600042-DE |
| | AB015 / A2015 | AX-RAO04100075-DE |
| | AB022 / A2022 | AX-RAO03000105-DE |
| | A2037 | AX-RAO01830160-DE |
| | A2055 | AX-RAO01150220-DE |
| | A2075 | AX-RAO00950320-DE |
| | A2110 | AX-RAO00630430-DE |
| 400 VAC | A2150 | AX-RAO00490640-DE |
| | A4004 / A4007 / A4015 | AX-RAO16300038-DE |
| | A4022 | AX-RAO11800053-DE |
| | A4030 / A4040 | AX-RAO07300080-DE |
| | A4055 | AX-RAO04600110-DE |
| | A4075 | AX-RAO03600160-DE |
| | A4110 | AX-RAO02500220-DE |
| A4150 | AX-RAO02000320-DE | |

② Accessories

| Types | Model | Description | Functions |
|------------------|-------------------|-------------------------------|---|
| Digital operator | 3G3AX-CAJOP300-EE | Remote operator cable | 3 meters cable for connecting remote operator |
| | 3G3AX-OP01 | LED remote operator | LED remote operator, cable length max. 3m |
| | 4X-KITMINI | Mounting kit for LED operator | Mounting kit for LED operator on panel |

③ Communication option boards

| Types | Model | Description | Functions |
|-----------------------|---------------|-----------------------|---|
| Communication options | 3G3AX-MX2-ECT | EtherCAT option board | Used for running or stopping the drive, setting or referencing parameters, and monitoring output frequency, output current, or similar items through communications with the host controller. |

④ Braking unit, braking resistor unit

| Voltage | Drive | | | | Braking resistor unit | | | | | |
|-----------------------------|---------------|-------------------|---------|-------------------------------|--|---------------|------------------|--------------------------------------|---------------|------------------|
| | Max. motor kW | Drive 3G3MX2□-EV2 | | Connectable min. resistance Ω | Drive mounted type (10%ED, 10 sec max) | | Braking torque % | Drive mounted type (3%ED, 3 sec max) | | Braking torque % |
| | | 1-phase | 3-phase | | Type AX- | Resist Ω | | Type AX- | Resist Ω | |
| 200 V (Single-/Three-phase) | 0.12 | B001 | 2001 | 100 | REM00K1400-IE | 400 | 200 | REM00K1400-IE | 400 | 200 |
| | 0.25 | B002 | 2002 | | | | 180 | | | 180 |
| | 0.55 | B004 | 2004 | 50 | REM00K1200-IE | 200 | 180 | REM00K1200-IE | 200 | 180 |
| | 1.1 | B007 | 2007 | | | | 100 | REM00K2070-IE | 70 | 200 |
| | 1.5 | B015 | 2015 | 35 | REM00K2070-IE | 70 | 140 | REM00K4075-IE | 75 | 130 |
| | 2.2 | B022 | 2022 | | | | 90 | REM00K4035-IE | 35 | 180 |
| | 4.0 | - | 2040 | | REM00K4075-IE | 75 | 50 | REM00K6035-IE | 35 | 100 |
| | 5.5 | | 2055 | 20 | REM00K4035-IE | 35 | 75 | REM00K9020-IE | 20 | 150 |
| | 7.5 | | 2075 | 17 | | | 55 | REM01K9017-IE | 17 | 110 |
| | 11 | | 2110 | | REM00K6035-IE | 35 | 40 | REM02K1017-IE | 17 | 75 |
| 400 V (Three-phase) | 0.55 | | 2150 | 10 | REM00K9017-IE | 17 | 55 | REM03K5010-IE | 10 | 95 |
| | 1.1 | | 4004 | 180 | REM00K1400-IE | 400 | 200 | REM00K1400-IE | 400 | 200 |
| | 1.5 | | 4007 | | | | 200 | | | 200 |
| | 2.2 | | 4015 | 100 | REM00K1200-IE | 200 | 190 | REM00K2200-IE | 200 | 190 |
| | 3.0 | | 4022 | | | REM00K2200-IE | 200 | 130 | REM00K5120-IE | 120 |
| | 4.0 | | 4030 | | REM00K2120-IE | 120 | 160 | | | 160 |
| | 5.5 | | 4040 | 70 | | | 120 | REM00K6100-IE | 100 | 140 |
| | 7.5 | | 4055 | | | REM00K4075-IE | 75 | 140 | REM00K9070-IE | 70 |
| | 11 | | 4075 | | | | 100 | REM01K9070-IE | 70 | 110 |
| | 15 | | 4110 | | REM00K6100-IE | 100 | 50 | REM02K1070-IE | 70 | 75 |
| | | 4150 | 35 | REM00K9070-IE | 70 | 55 | REM03K5035-IE | 35 | 110 | |

⑤ Computer software

| Types | Model | Description | Installation |
|----------|----------|-------------------|--|
| Software | CX-Drive | Computer software | Configuration and monitoring software tool |
| | CX-One | Computer software | Configuration and monitoring software tool |

ALL DIMENSIONS SHOWN ARE IN MILLIMETERS.
To convert millimeters into inches, multiply by 0.03937. To convert grams into ounces, multiply by 0.03527.