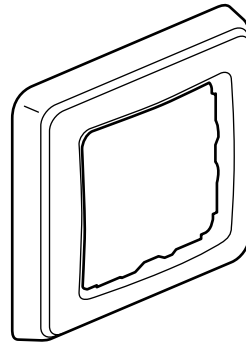


**Cariva™
Plates**

**Cat. Nos: 7 736 51/52/53/54/55/60/61/62/63/64/65/71/72/73/74/75
 7 736 81/82/83/84/85/91/92/93/94/95
 7 737 51/52/53/54/55/60**







7 736 51


1. USE

Plates for horizontal or vertical mounting, for finishing Cariva mechanisms.

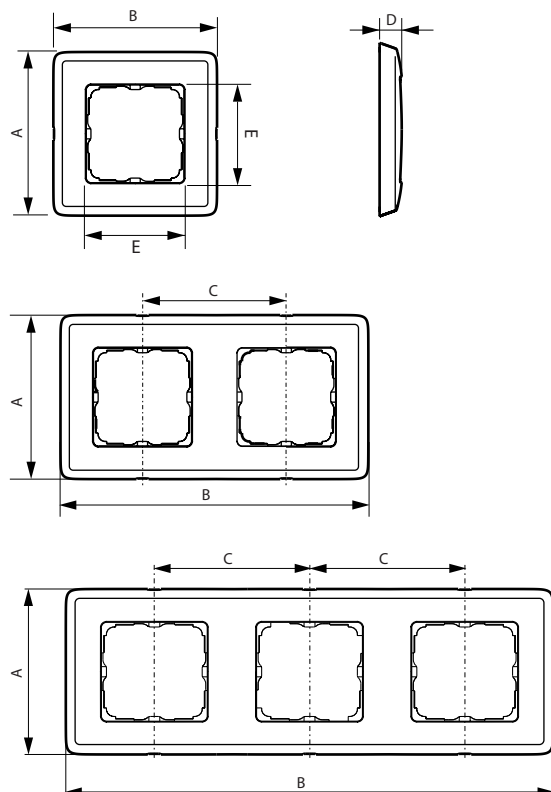
2. RANGE

| 1-GANG PLATE | | | Weight |
|---|--|--|--------|
|  | 7 736 51/60 7 737 51/60 7 736 81 7 736 91 7 736 71 7 736 61 | White Ivory Beige Grey Aluminium Gold | 13 g |
| 2-GANG PLATE | | | Weight |
|  | 7 736 52 7 737 52 7 736 82 7 736 92 7 736 72 7 736 62 | White Ivory Beige Grey Aluminium Gold | 25 g |
| 3-GANG PLATE | | | Weight |
|  | 7 736 53 7 737 53 7 736 83 7 736 93 7 736 73 7 736 63 | White Ivory Beige Grey Aluminium Gold | 35 g |
| 4-GANG PLATE | | | Weight |
|  | 7 736 54 7 737 54 7 736 84 7 736 94 7 736 74 7 736 64 | White Ivory Beige Grey Aluminium Gold | 47 g |

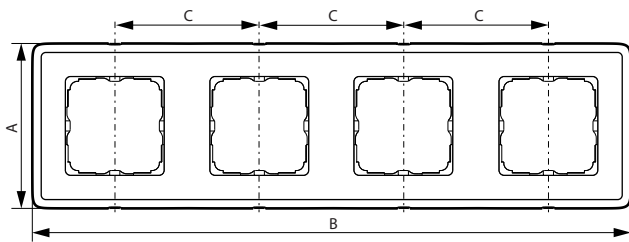
2. RANGE (continued)

| 5-GANG PLATE | | | Weight |
|--|--|--|--------|
|  | 7 736 55 7 737 55 7 736 85 7 736 95 7 736 75 7 736 65 | White Ivory Beige Grey Aluminium Gold | 59 g |

3. DIMENSIONS (mm)



3. DIMENSIONS (continued)

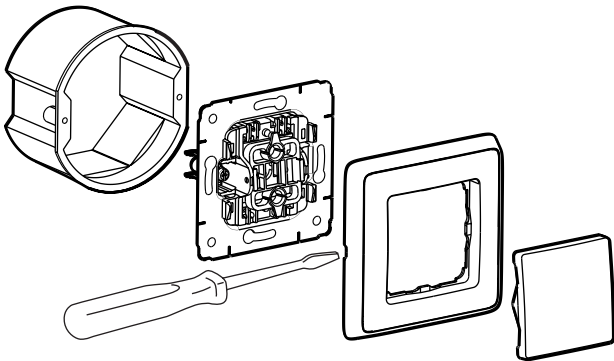


| Plates | A | B | C | D | E |
|--------|----|-----|----|------|------|
| 1-gang | 81 | 81 | - | 10,8 | 48,4 |
| 2-gang | 81 | 152 | 71 | 10,8 | 48,4 |
| 3-gang | 81 | 223 | 71 | 10,8 | 48,4 |
| 4-gang | 81 | 294 | 71 | 10,8 | 48,4 |
| 5-gang | 81 | 365 | 71 | 10,8 | 48,4 |

4. POSITIONING

Plates are snap-fitted on the mechanisms, allowing adjustment up to 2 mm from the wall.

Plates cannot be removed by hand, but can easily be removed using a screwdriver, by inserting it in the notches provided for this purpose.



5. TECHNICAL CHARACTERISTICS

■ 5.1 Degree of protection

Impact protection: IK 04 (0,5 J)

■ 5.2 Material characteristics

Material: Acrylonitrile butadiene styrene (ABS)

Self-extinguishing: 650 °C / 30 s

6. EXTERNAL FINISHING

Cariva painted plates can withstand the wear likely to occur in normal installation conditions. No additional painting shall be applied by the user.

7. CLEANING

Clean the surface with a cloth.

Do not use: acetone, tar-removing cleaning agents or trichloroethylene.

Warning: Always test before using other special cleaning products.