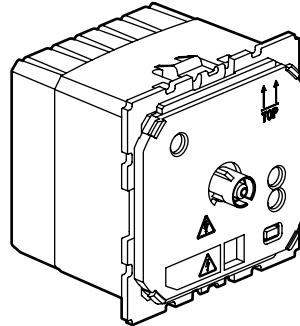


# Céliane™ Electronic room thermostat

Catalogue number: 0 674 00



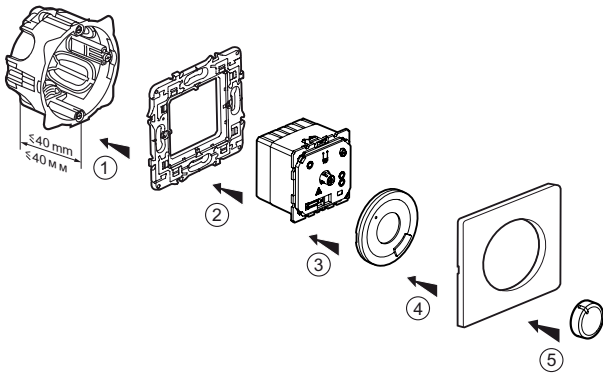
### 1. USE

Regulation control heating equipment or cooling system.  
 Mechanisms to be equipped with finishes.

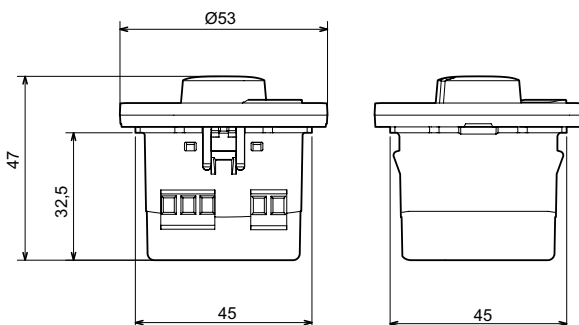
### 2. RANGE

| Description                                      | Cat. No. |
|--|----------|
| Electronic room thermostat 230 VAC, with sensor. | 0 674 00 |

### 3. PREPARATION

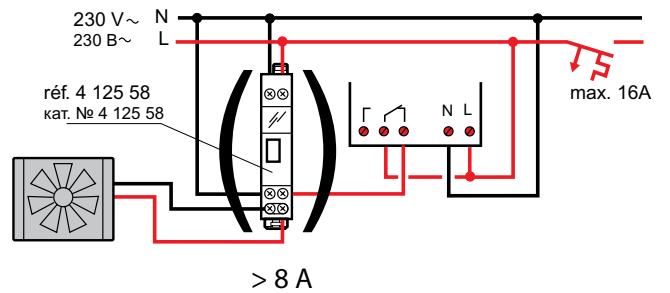
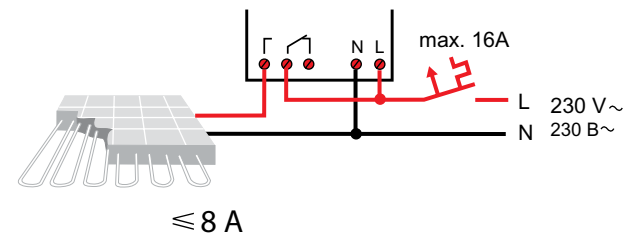
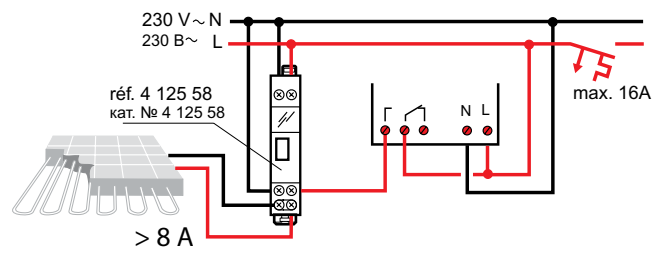


### 4. OVERALL DIMENSIONS (mm)



### 5. CONNECTION

Number of terminals: 5  
 Type of terminals: with screws  
 Terminal capacity: 2 x 1.5 mm<sup>2</sup> flexible or rigid  
 Stripping length: 6 mm  
 Tool: flat screwdriver 3.5 mm



Maximum operation distance: 50 m

**6. FUNCTION**

The thermostat (heating/cooling) is equipped with a temperature sensor and provides a changover relay switched depending on the ambient temperature.

The regulation is ensured by an algorithm with a pulse-width controlled output (0...100% thus ensuring a minimal temperature variation relative to the ambient temperature.

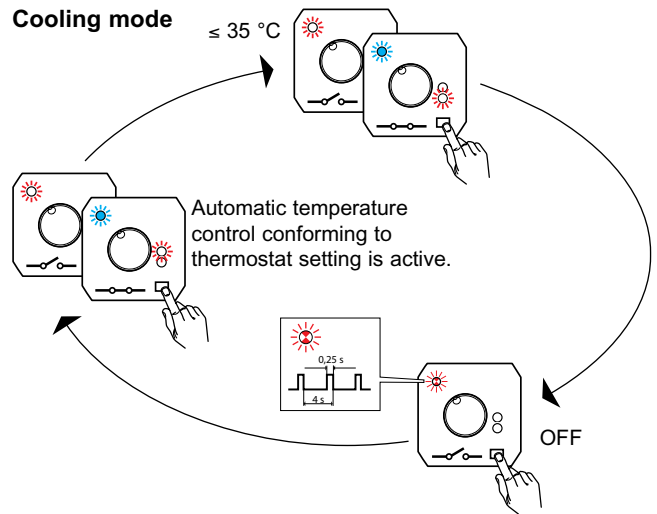
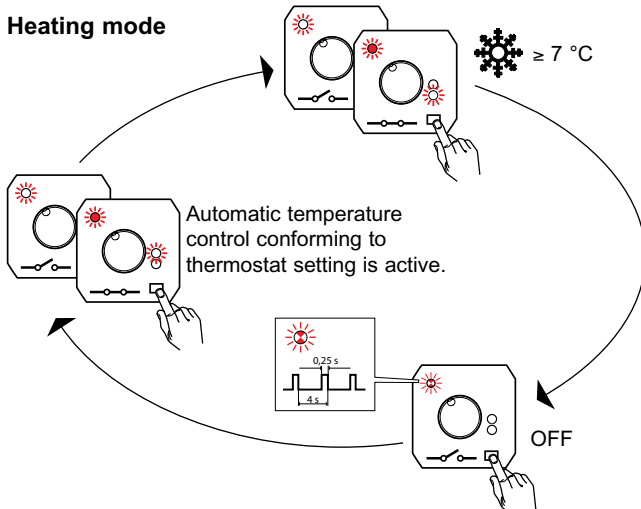
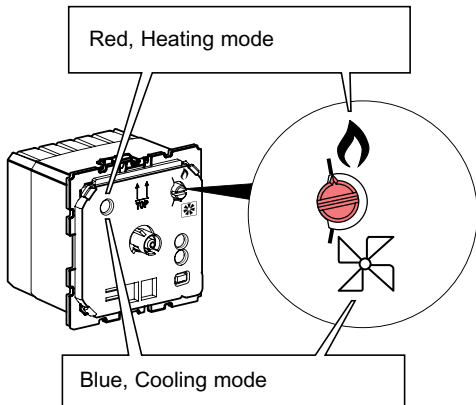
Setting range 10-30 °C by using the rotary knob.

A short press on the "select" button cycles between the modes comfort -> frost -> off -> comfort and so on.

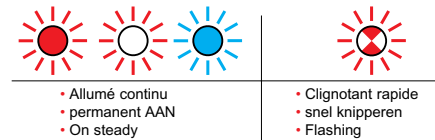
A long press on the "select" button adjust the brightness of the LEDs.

Regulation Accuracy: < 0.5°C for a conventional installation and maximum load of 8 A.

Heating / cooling change by rotating knob under the frontcover.



**Legend LED**



**7. TECHNICAL CHARACTERISTICS**

■ **6.1 Index of protection**

Protection against solid bodies and liquids: IP 21  
 Impact tests: IK 04

■ **6.2 Material characteristics**

Polycarbonate

■ **6.3 Electrical characteristics**

Self extinguishing: 850° C / 30 s  
 Voltage: 230 VAC  
 Frequency: 50/60 Hz

■ **6.4 Climatic characteristics**

Storage temperature: - 10° C to + 70° C  
 Cooling temperature: - 5° C to + 40° C

**8. STANDARDS AND APPROVALS**

Compliance with standards of installation and manufacturing.  
 Refer to e. catalogue.