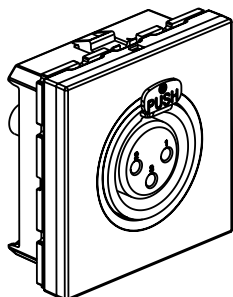
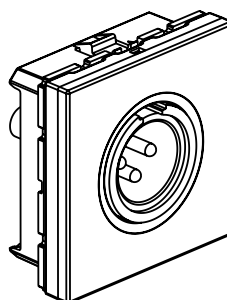


Mosaic™ XLR socket outlets

Cat. No(s): 0 787 55/56 - 0 792 55 - 0 795 55L



0 787 55 - 0 792 55 - 0 795 55L



0 787 56

1. USE

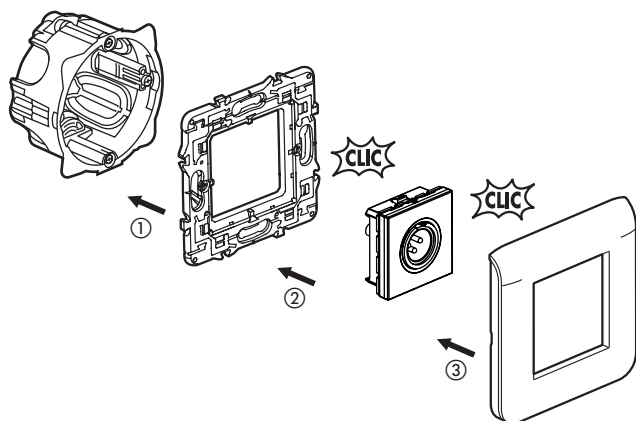
For connecting a microphone or a remote console to an amplifier.
Audio stereo link to any peripheral, amplifier, mixing table, DVD player, camera, VTR, video conference equipment, etc.

2. RANGE

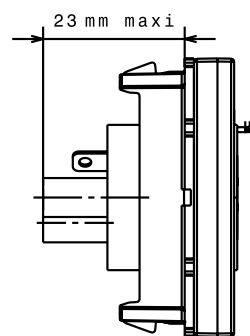
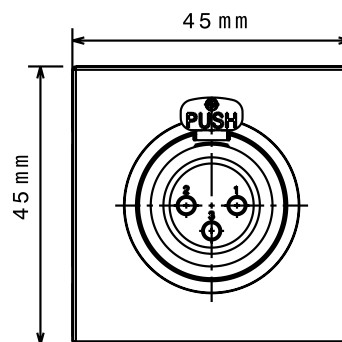
	Designation	Cat. No.	Modules	Fixing method	Connection method	Weight (g)
	XLR audio socket female White	0 787 55	2	With clips	With screws	24
	XLR audio socket female Aluminium	0 792 55	2	With clips	With screws	24
	XLR audio socket female Black Mat	0 795 55L	2	With clips	With screws	24
	XLR audio socket male	0 787 56	2	With clips	With screws	22.3

3. PREPARATION

- The mechanisms can be flush-mounted or surface-mounted.
- Modular mechanisms using adapter Cat. No. 0 802 99 (2 modules).
- The mechanisms are mounted on thin walls using adapter Cat. No. 0 802 91 (2 modules).



4. OVERALL DIMENSIONS

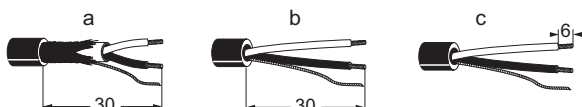


5. CONNECTION

Wide terminal strip taking a 1 mm² conductor max.
Supplied in a bag containing:
- 1 Colring tie
- ferrules to be crimped for conductor < 0.5 mm²
- thermoformable sheaths
Cable bend radius: 35 mm

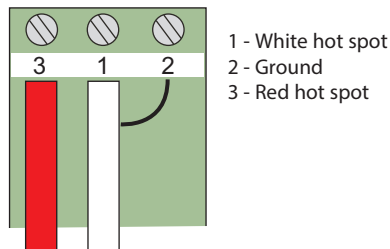
Stripping

Recommended wire: audio wire 2 x 0.22 mm² to 0.40 mm².
a - Cable unsheathing length: 30 mm. Recover the
 drain wire of the cable's general shielding
b - Remove the braid and the aluminium shielding tape
c - Core stripping length: 6 mm.



Wiring

Wide terminal strip taking a 1 mm² conductor max.
Supplied in a bag containing:
- 1 Colring tie
- ferrules to be crimped for conductor < 0.5 mm².
Tools required: flat-blade screwdriver 0.4 x 2.5 mm and flat-nose pliers.
Insulate the drain wire using the neoprene sleeve supplied, thread it into the ferrule supplied and crimp it using the flat-nose pliers.
Thread the cores into the ferrules supplied and crimp them using the flat-nose pliers.
Start by wiring the drain wire, then the cores.
Hold the cable mechanically using the cable clamp supplied.
Follow the cabling instructions below:



6. TECHNICAL CHARACTERISTICS

6.1 Mechanical characteristics

Impact tests: IK 04
Penetration by solid bodies/liquid: IP 40

6.2 Material characteristics

Base: Polycarbonate
Cover: ABS white (RAL 9003) or mat black
Self-extinguishing: 650°C / 30 s

6.3 Climatic characteristics

Storage temperature: - 10°C to + 70°C
Operating temperature: - 5°C to + 50°C

7. CLEANING

Surface cleaning with a cloth.
Do not use: acetone, tar remover, trichloroethylene.

7.1 Resistance to cleaning agents

Resistance to the following agents: - Hexane (EN 60669-1)
- Methylated spirits
- Soapy water
- Diluted ammonia
- Diluted pure bleach 10%
- Glass cleaning product
- Pre-impregnated wipes

7.2 Resistance to hospital-type cleaning agents

Resistance to the following agents: - Anios
- Surfanios
- Bactylisine
- Diluted hydrogen peroxide (35%)

Caution: A preliminary test should be carried out if other specific cleaning products are to be used.