

FRONT MOUNTED ROTARY OPERATOR STANDARD IEC IP30/40  
ACCESSORY FOR 3VA15/25 1000



Model	
Product brand name	SENTRON
Product designation	Accessories
Product version	Front rotary operating mechanism
Accessories	Front rotary operator
General technical data	
Protection class IP	IP30
Mechanical Design	
Net weight	2 477 g
Certificates	

General Product Approval	EMC	Declaration of Conformity	Shipping Approval	other
<a href="#">Miscellaneous</a> 	 RCM	 EG-Konf.	 LRS	<a href="#">Manufacturer Declaration</a>

other
<a href="#">Miscellaneous</a>

### Further information

**Information- and Downloadcenter (Catalogs, Brochures,...)**

<http://www.siemens.com/lowvoltage/catalogs>

**Industry Mall (Online ordering system)**

<https://mall.industry.siemens.com/mall/en/en/Catalog/product?mlfb=3VA9687-0EK11>

**Service&Support (Manuals, Certificates, Characteristics, FAQs,...)**

<https://support.industry.siemens.com/cs/ww/en/ps/3VA9687-0EK11>

**Image database (product images, 2D dimension drawings, 3D models, device circuit diagrams, ...)**

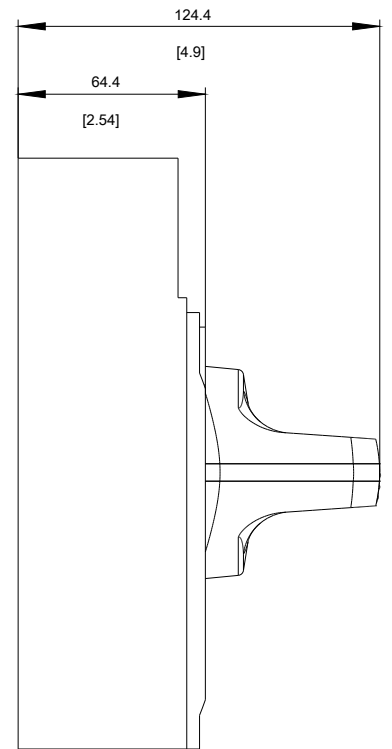
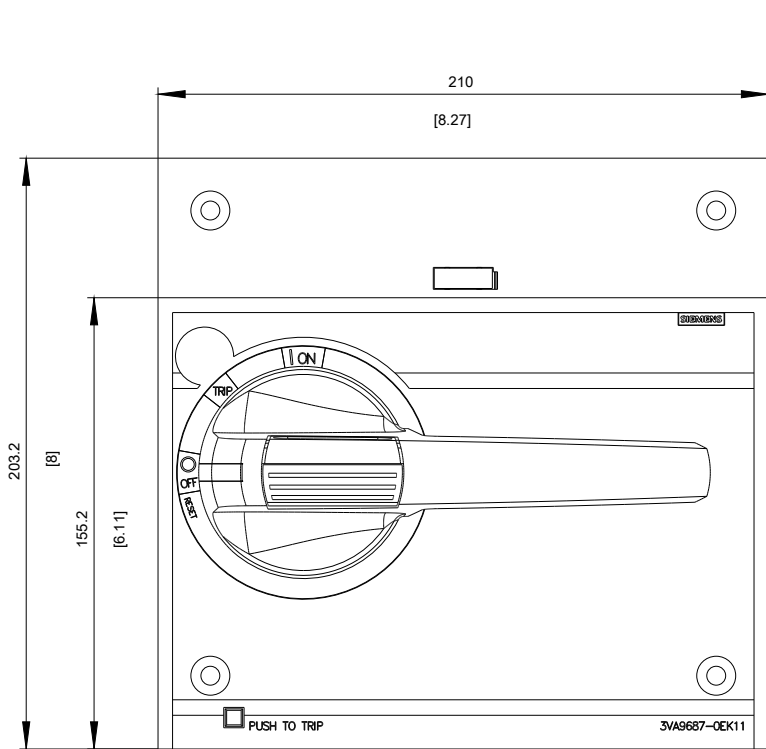
[http://www.automation.siemens.com/bilddb/cax\\_en.aspx?mlfb=3VA9687-0EK11](http://www.automation.siemens.com/bilddb/cax_en.aspx?mlfb=3VA9687-0EK11)

**CAX-Online-Generator**

<http://www.siemens.com/cax>

**Tender specifications**

<http://www.siemens.com/specifications>



**last modified:**

06/19/2020