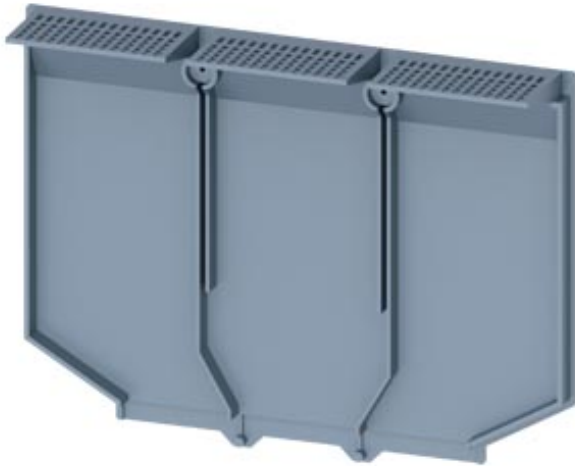






insulating plate offset 3-pole 1 unit accessory for: 3VA1 400/630  
3VA2 400/630



Model	
Product brand name	SETRON
Product designation	accessories
Accessories	Insulating plate

Certificates				
General Product Approval	EMC	Declaration of Conformity	Test Certificates	Shipping Approval
<a href="#">Miscellaneous</a> 	 RCM	 EG-Konf.	<a href="#">Type Test Certificates/Test Report</a>	 LRS

other	
<a href="#">Manufacturer Declaration</a>	<a href="#">Miscellaneous</a>

## Further information

### Information- and Downloadcenter (Catalogs, Brochures,...)

<http://www.siemens.com/lowvoltage/catalogs>

### Industry Mall (Online ordering system)

<https://mall.industry.siemens.com/mall/en/en/Catalog/product?mlfb=3VA9481-0WK30>

### Service&Support (Manuals, Certificates, Characteristics, FAQs,...)

<https://support.industry.siemens.com/cs/ww/en/ps/3VA9481-0WK30>

### Image database (product images, 2D dimension drawings, 3D models, device circuit diagrams, ...)

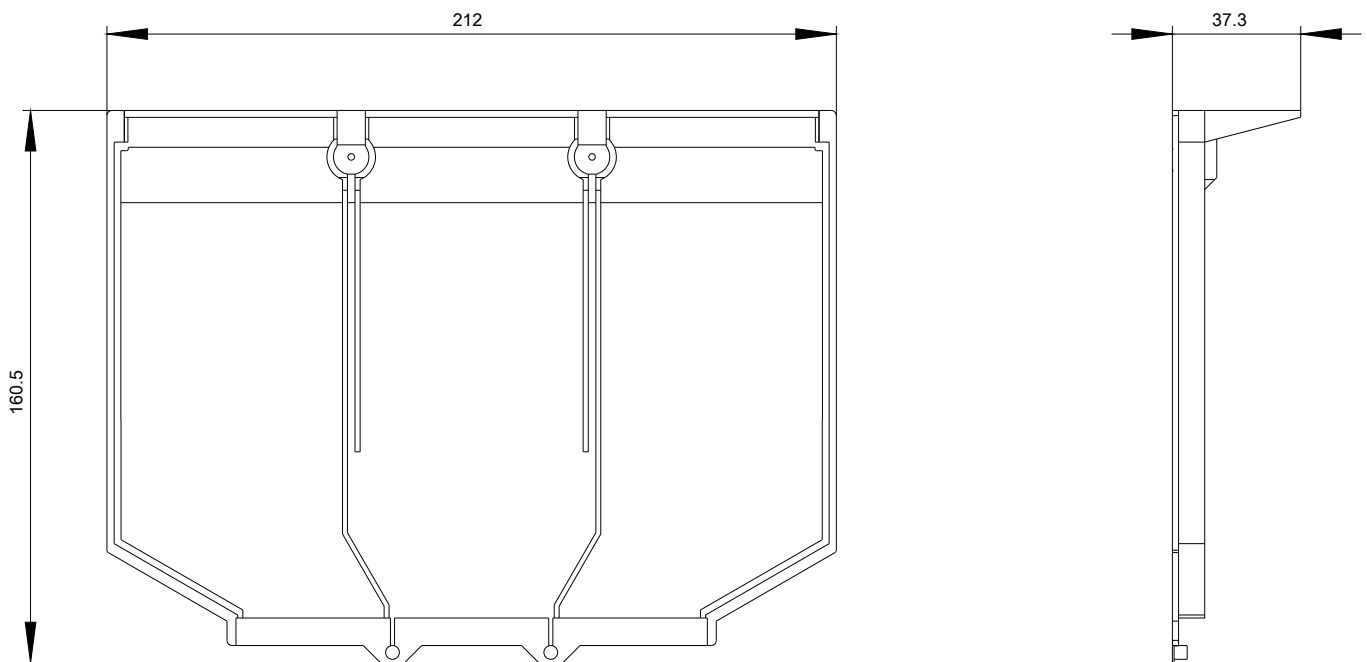
[http://www.automation.siemens.com/bilddb/cax\\_en.aspx?mlfb=3VA9481-0WK30](http://www.automation.siemens.com/bilddb/cax_en.aspx?mlfb=3VA9481-0WK30)

### CAX-Online-Generator

<http://www.siemens.com/cax>

### Tender specifications

<http://www.siemens.com/specifications>



**last modified:**

05/06/2020