

front mounted rotary operator emergency-off IEC IP30/40 24V DC
lighting kit accessory for: 3VA1 400/630 3VA2 400/630



Model	
Product brand name	SETRON
Product designation	Accessories
Product version	Front rotary operating mechanism
Accessories	Front rotary operator

General technical data	
Protection class IP	IP30

Mechanical Design	
Height	94 mm
Width	138 mm
Depth	108 mm
Net weight	361 g

Certificates

General Product Approval	EMC	Declaration of Conformity	Shipping Approval	other
Miscellaneous 	 RCM	 EG-Konf.	 LRS	Manufacturer Declaration

other
Miscellaneous

Further information

Information- and Downloadcenter (Catalogs, Brochures,...)

<http://www.siemens.com/lowvoltage/catalogs>

Industry Mall (Online ordering system)

<https://mall.industry.siemens.com/mall/en/en/Catalog/product?mlfb=3VA9467-0EK17>

Service&Support (Manuals, Certificates, Characteristics, FAQs,...)

<https://support.industry.siemens.com/cs/ww/en/ps/3VA9467-0EK17>

Image database (product images, 2D dimension drawings, 3D models, device circuit diagrams, ...)

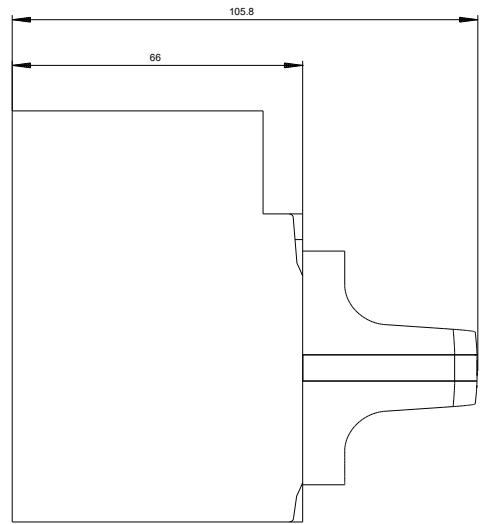
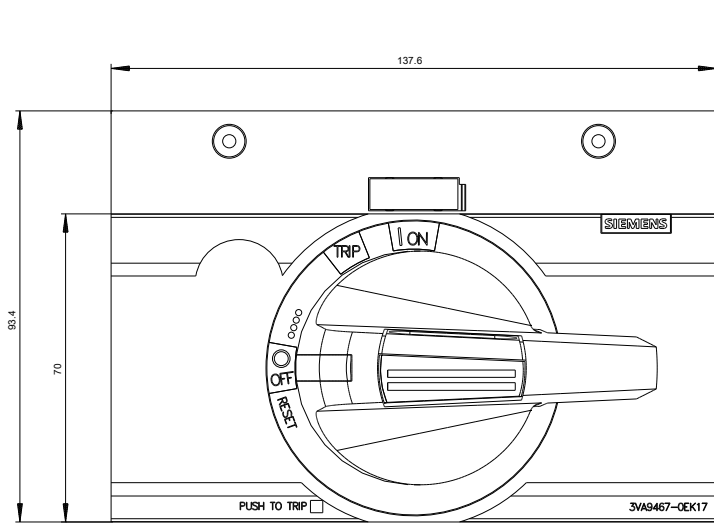
http://www.automation.siemens.com/bilddb/cax_en.aspx?mlfb=3VA9467-0EK17

CAX-Online-Generator

<http://www.siemens.com/cax>

Tender specifications

<http://www.siemens.com/specifications>



last modified:

05/06/2020