


insulating plate offset 3-pole 1 unit accessory for: 3VA1 100/160



Model	
Product brand name	SETRON
Product designation	accessories
Accessories	Insulating plate
Certificates	

General Product Approval	EMC	Declaration of Conformity	Test Certificates
 VDE	Miscellaneous 	 RCM	 EG-Konf.

Shipping Approval	other
-------------------	-------

 LRS	Manufacturer Declaration	Miscellaneous
--	--	-------------------------------

Further information

Information- and Downloadcenter (Catalogs, Brochures,...)

<http://www.siemens.com/lowvoltage/catalogs>

Industry Mall (Online ordering system)

<https://mall.industry.siemens.com/mall/en/en/Catalog/product?mlfb=3VA9111-0WK30>

Service&Support (Manuals, Certificates, Characteristics, FAQs,...)

<https://support.industry.siemens.com/cs/ww/en/ps/3VA9111-0WK30>

Image database (product images, 2D dimension drawings, 3D models, device circuit diagrams, ...)

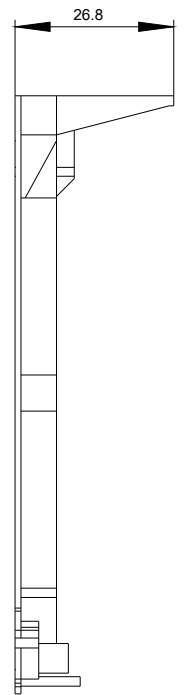
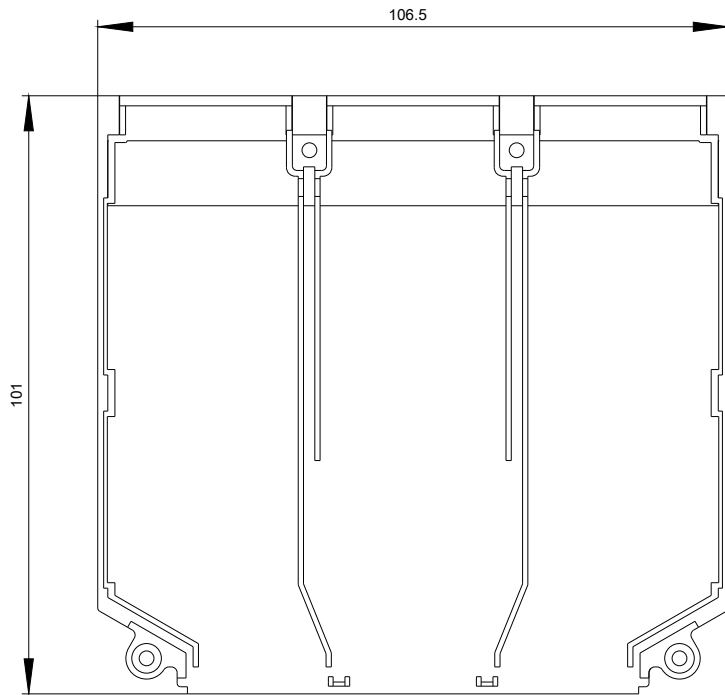
http://www.automation.siemens.com/bilddb/cax_en.aspx?mlfb=3VA9111-0WK30

CAX-Online-Generator

<http://www.siemens.com/cax>

Tender specifications

<http://www.siemens.com/specifications>



last modified:

05/06/2020