

Rittal – The System.

Faster – better – worldwide.

Gleitschiene, tiefenvariabel
Slide rail, depth-variable
Glissière, réglable en profondeur
Glijrails, in diepte verstelbaar
Glidskena, djupvariabel
Guide di sostegno, regolabili in profondità
Guía deslizante, variable en profundidad
サポートレール, 奥行調整式

DK 5501.460

DK 5501.480

Montage- und Bedienungsanleitung
Assembly and operating instructions
Notice d'emploi et de montage
Montage- en bedieningshandleiding
Montage- och bruksanvisning
Istruzioni di montaggio
Instrucciones de montaje
取扱説明書

ENCLOSURES

POWER DISTRIBUTION



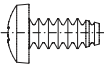
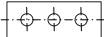
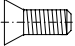
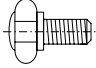
CLIMATE CONTROL

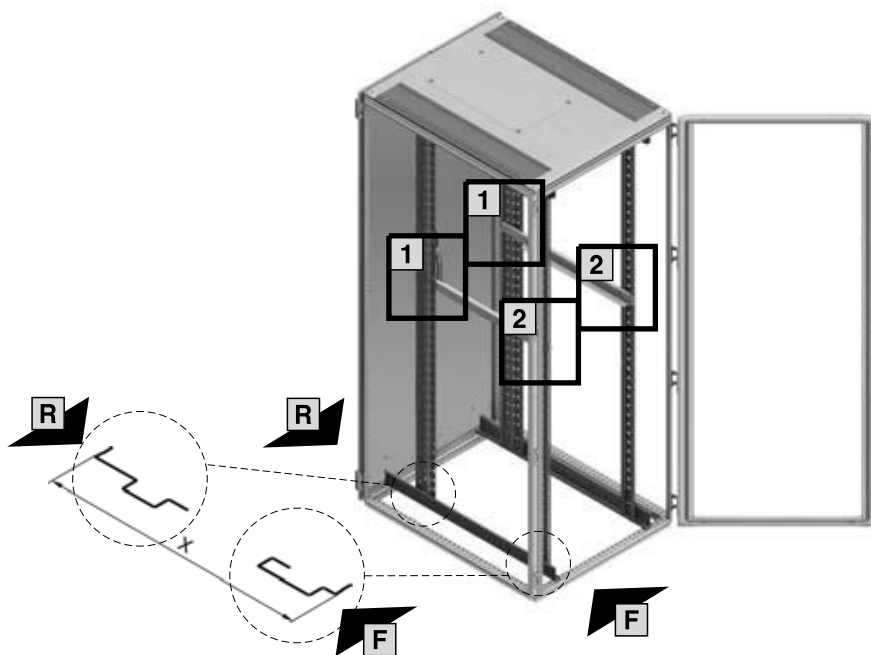
IT INFRASTRUCTURE

SOFTWARE & SERVICES



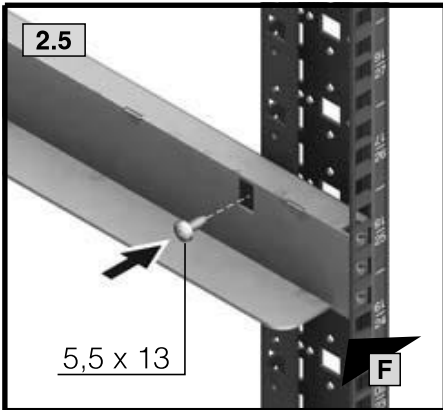
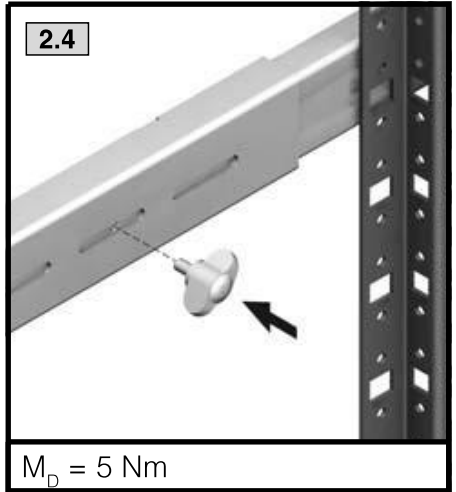
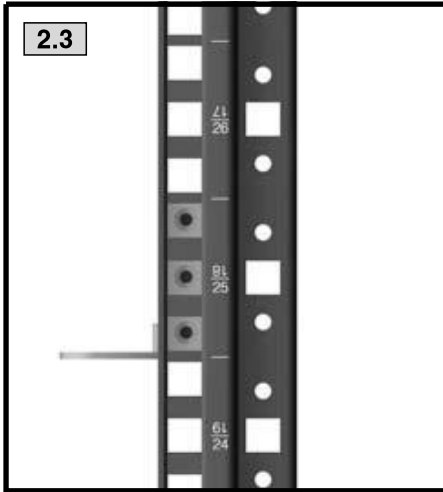
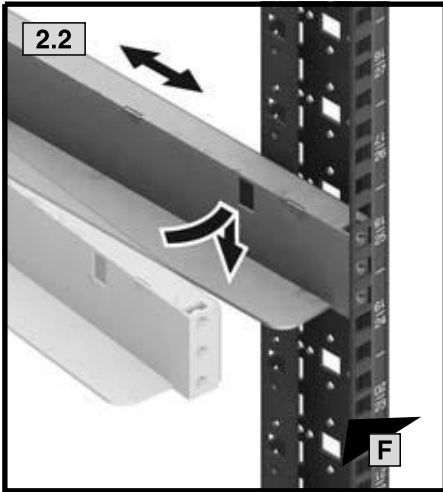
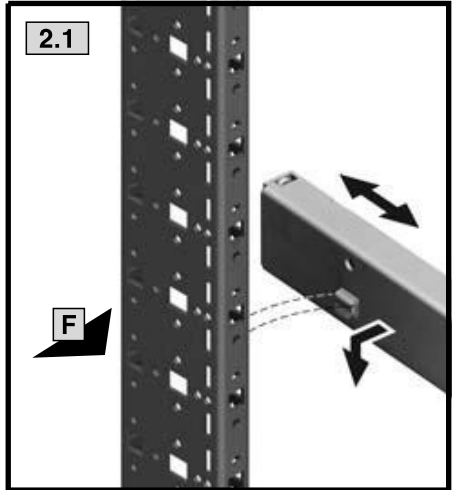
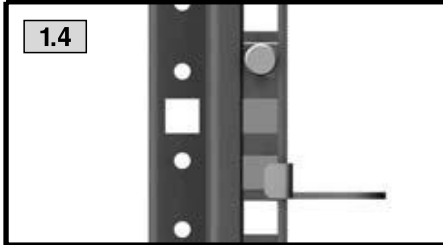
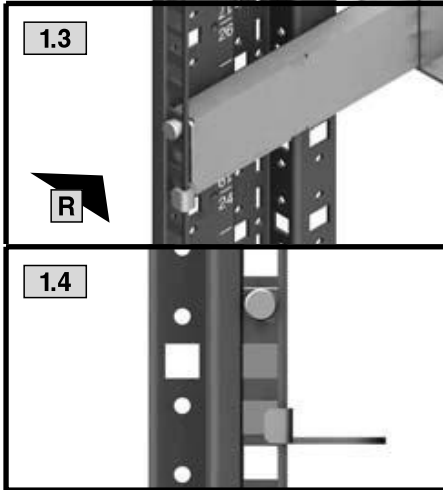
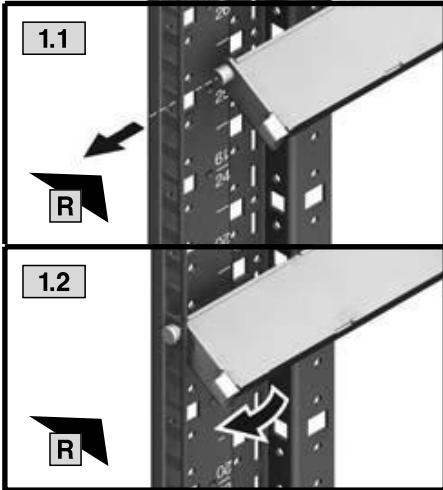


	X mm	 F [N]	
Best.-Nr. DK Model No. DK Référence DK	400 - 600	↓ 800	5501.460
	600 - 900	↓ 1500	5501.480
			1 x
	5,5 x 13		2 x
			2 x
	M5 x 8		4 x
			2 x

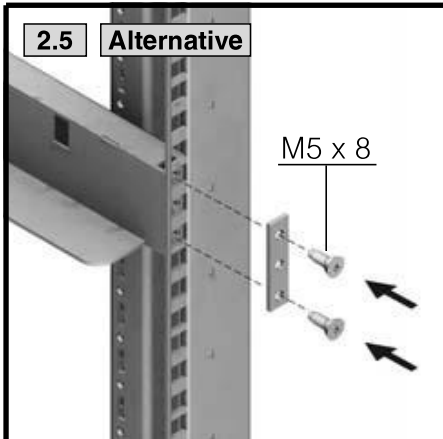




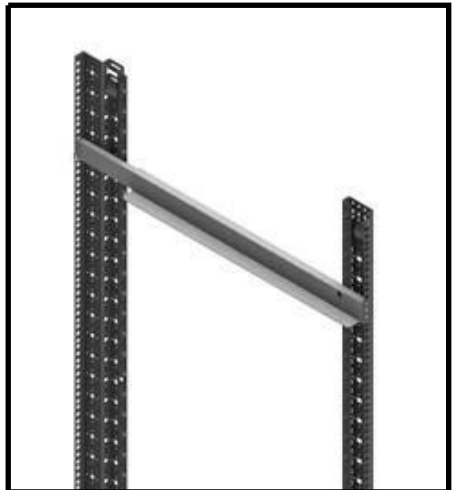
TX25

> 500 N (5501.460) $M_D = 5 \text{ Nm}$
 > 1000 N (5501.480) $M_D = 5 \text{ Nm}$



(TE 7000) $M_D = 5 \text{ Nm}$



Rittal – The System.

Faster – better – worldwide.

- Enclosures
- Power distribution
- Climate control
- IT infrastructure
- Software & services

04.2012/A4638200IT73

RITTAL GmbH & Co. KG
Postfach 1662 · D-35726 Herborn
Phone + 49(0)2772 505-0 · Fax + 49(0)2772 505-2319
E-Mail: info@rittal.de · www.rittal.de

ENCLOSURES

POWER DISTRIBUTION

CLIMATE CONTROL

IT INFRASTRUCTURE

SOFTWARE & SERVICES

