

# ECO FLEX®



---

**ELECTRONIC CONVECTOR***Installation and user manual*

EN

---

**ЭЛЕКТРОННЫЕ ОБОГРЕВАТЕЛИ***Инструкция по установке и эксплуатации*

RU

---

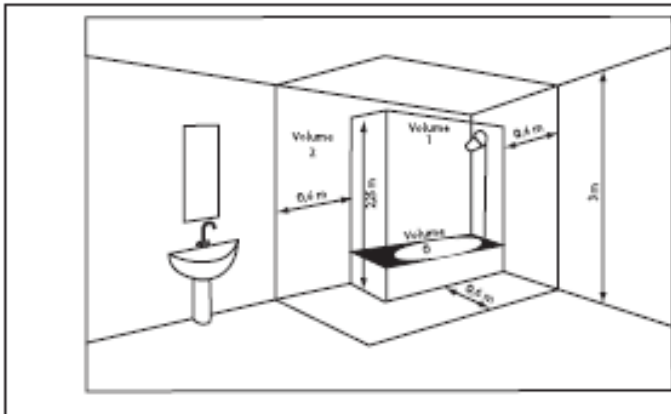
**ELEKTRONICKÝ KONVEKTOR***Instalační a uživatelská příručka*

CZ

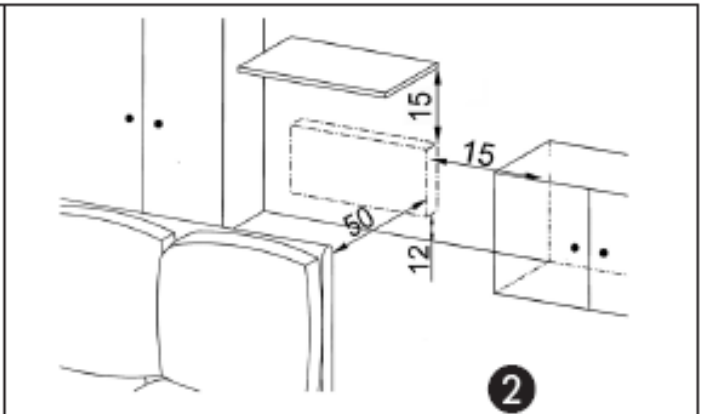
---

**ELEKTRONISCHER KONVEKTOR***Montage- und Bedienanleitung*

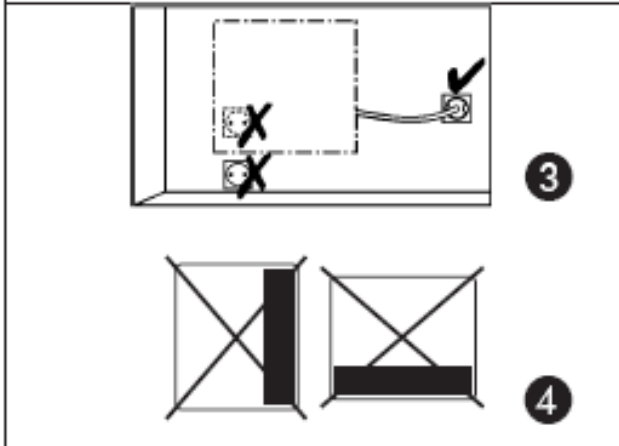
DE



1

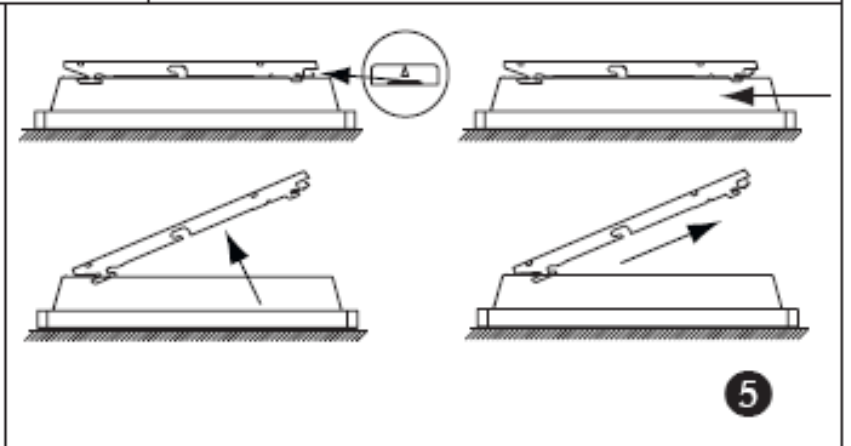


2

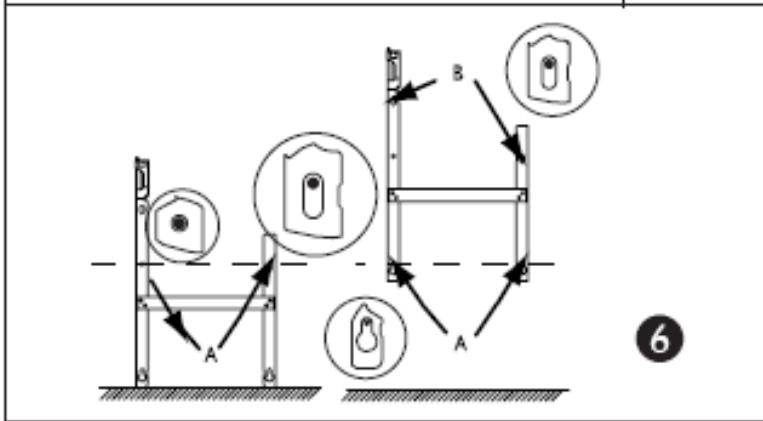


3

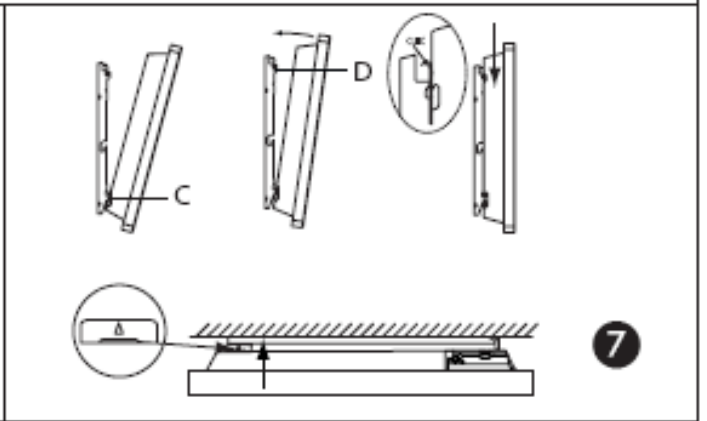
4



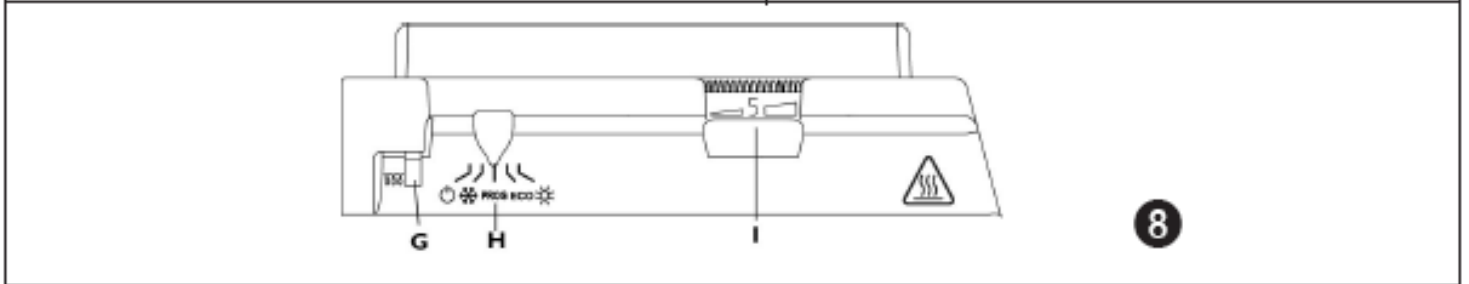
5



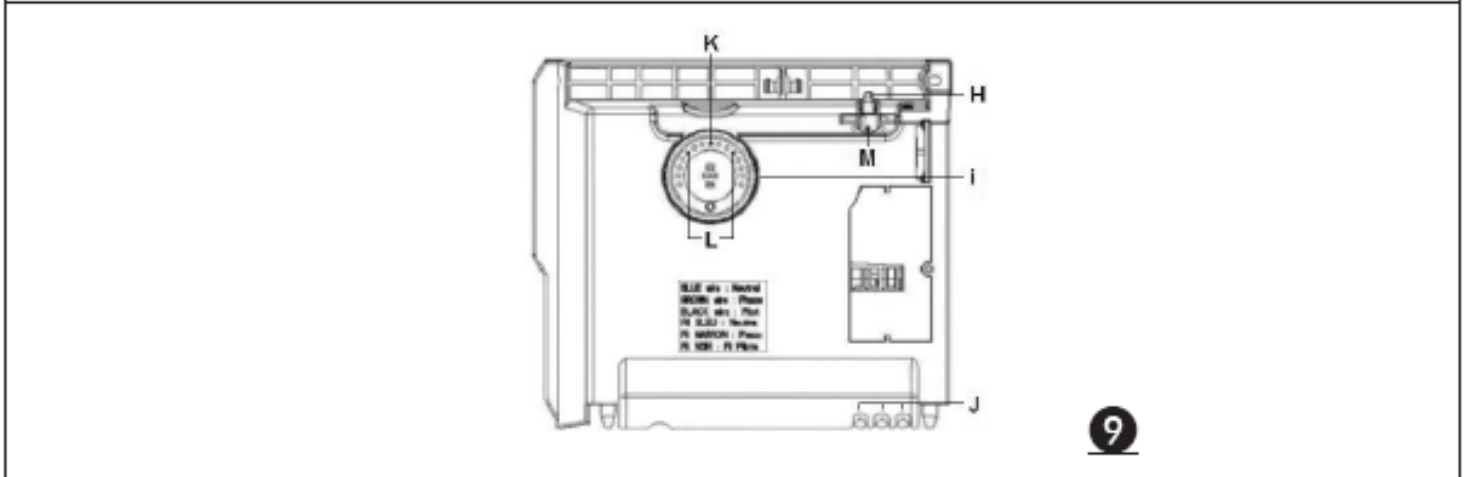
6



7



8



9

**Caution very hot surface.****CAUTION: Portions of this product may become hot and cause burns. Pay particular attention to the presence of children and vulnerable people.**

- Keep away from this unit child under 3 years unless they are under continuous surveillance.
- Children between 3 and 8 years should only put the unit on or off, to provided that the latter has been placed or installed in a normal position and that these children have supervision or have received instructions on using the machine safely and understand the potential hazards. Children aged between 3 and 8 years must not connect or adjust or clean the device and perform maintenance or user .
- This unit can be used by older children at least 8 years and by people with physical, sensory or mental capabilities or lack of experience or knowledge , they (if ) is monitored correctly ( s) or instructions for using the device safely given to them and if the risks were apprehended. Children should not play with the device . Cleaning and maintenance by the user should not be performed by children without supervision.
- This device must be plugged or connected according to the rules and standards applicable by an authorized person.
- The instruction book of this product is available by contacting the after-sales service with the number indicate on the warranty part included in this manual service.
- Do not use the device if the power cable is damaged.



Caution: to avoid overheating and for safety reasons, do not cover the panel heater.



Devices with this symbol should not be disposed with household waste but must be collected separately and recycled. The collection and recycling of end of life must be made according to the provisions and local ordinances (DEEE 2002/96/CE).



The installation of the device in high altitude causes an increase of the temperature air outlet (about 10 ° C per 1000 m elevation).

In case of mobile utilisation of the device (see applicable models below):

- Do not use this heater near a bathtub, a shower or a pool.
- Do not use this heater in small areas when they are occupied by people unable to leave the room by themselves unless if a constant supervision is provided.

**1. Installation****1.1 Where to install your heater?**

- This equipment was designed to be installed in a residence. Please ask your distributor before using it for any other purpose.
- The panel heater should be installed according to normal trade practice and in compliance with legislation in the relevant country (NFC 15-100 for France).
- The equipment is class 2 and is protected against splashed water IP 24. The device can be installed in volume 2 of a bathroom (Figure ①). It's forbidden to install the device in the volume 1. The device is to be installed so that switches and other controls cannot be touched by a person in the bath or shower.
- Comply with the minimum clearance distances for positioning of the panel (Figure ②).
- The wall bracket allows keeping a free space behind the device to not disturb its regulation. The distance between the unit and the wall should not be obstructed.

**1.2 Do not install the panel heater**

- In a draught that might affect adjustment (for example, under a central mechanical ventilation unit etc...). Under a fixed power socket (Figure ③) or near curtains or other combustible materials.
- In a non-conform position.
- The air outlet grid and the control unit is visible in the upper part of the device. It is forbidden to install a vertical unit horizontally and vice versa (Figure ④).

**1.3 How to install the panel heater?****WARNING:** Devices without plug can not be used in mobile version**1.3.1 Preparation**

- The wall mounted installation concern all Mechanical devices and Electronic devices.

**a. Release the appliance's hook-on bracket (Figure ⑤)**


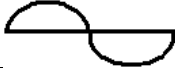
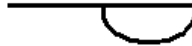

- We recommend that you place the panel heater flat, face down. Have a straight head screwdriver to hand and lift the tab taking care not deform. While holding the tab rose, push the locking bracket to the bottom of the unit to release the upper hooks. Rotate the attachment tab around the lower hooks and remove the attachment tab.

## b. Fix the hook-on bracket (Figure 6)

- Place the bracket on the ground and against the wall and mark the drilling points **A**. These give the position of the bottom fasteners. Replace the brackets in alignment with the drilling point **A** to locate drilling points **B**. These give the position of the upper fasteners. In case of special support, use proper anchors. Position and screw the wall brackets.

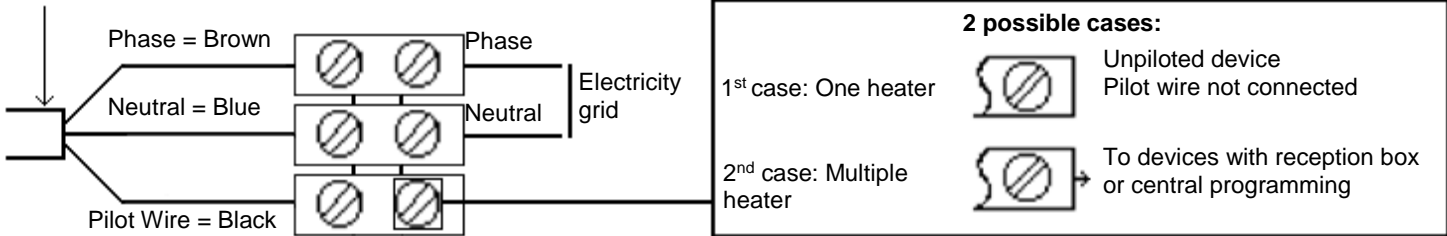
### 1.3.2 Electrical connexion

- The appliance should have a 230 / 50Hz power supply. The panel heater must be connected to the mains by a 2-wire cable for Mechanical Device or 3-wire cable for Electronic Device (Brown= Phase, Blue = Neutral, Black = Pilot wire) by means of a connexion box. In humid areas such as bathrooms and kitchens the power socket must be installed at least 25 cm above the floor. The installation should be fitted with a double pole break device with a break of at least 3 mm.
- **Connection to earth is prohibited / Do not connect the pilot wire (black) to earth.** If a driver or driven device is protected by a 30mA differential (for example for bathroom) it is necessary to protect the power supply of the pilot wire on that differential.
- **This device must be installed with a remotely controllable programming system. This type of system can be connected via the pilot wire of the device.**


Commands Received	Absence de signal	Complete alternation 230 V	Negative Half/alternation - 115V	Positive Half/alternation + 115V
Oscilloscope Ref/Neutral				
Mode obtained	CONFORT	ECO	ANTI - FREEZE	STOP HEATING LOAD SHEDDING


  

Panel heater cable



**2 possible cases:**

1<sup>st</sup> case: One heater  Unpiloted device  
Pilot wire not connected

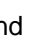
2<sup>nd</sup> case: Multiple heater  To devices with reception box or central programming


### 1.3.3 Wall mounted installation (Figure 7)

- Place the device inclined on the brackets **C** and rotates the device to place it on the brackets **D**. Lowering the device on the bracket. A click indicates that the device is attached and locked. To unlock the attachment tab, grab a screwdriver and push the tab (at the top left of the attachment tab behind the device) towards the wall. Lift the device while holding the tab with the screwdriver. Tilt it forward and remove it from the supports **C**.

## 2. Utilisation

### 2.1 How to fix the comfort mode? (Figure 8)


- The Comfort mode allows setting the desired temperature using the control knob.
- Put the switch **H** on , and then set the control knob **I** on the desired position, the heating indicator **G** lights if the ambient temperature is lower than desired one. Wait until the temperature stabilizes.

<b>G</b>	Indicator for heating. It indicates the periods in which the resistance is working. With a stabilized temperature, it flashes and if the temperature is too high, it stops.
<b>H</b>	Slider or switch 
<b>I</b>	Control knob of the temperature

#### 2.1.1 How to fix the Eco mode?

- **ECO** mode allows lowering the temperature of Comfort mode from 3 to 4°C during unoccupied periods of the room. It is recommended that this mode should be used if the room is unoccupied for more than 2 hours. Put the switch **H** on **ECO** and then set the control knob **I** to the desired position, the heating indicator **G** lights if the ambient temperature is lower than desired **ECO** temperature. Wait until the temperature stabilizes.

#### 2.1.2 How to fix the Frost Free mode?

- It is the position of the switch that keeps the temperature at approximately 7 ° C in the room during prolonged absence from the house (usually more than 24 hours). Put the switch **H** on .

#### 2.1.3 How to program your device in Comfort, ECO or Frost Free mode?

- Devices equipped with an electronic thermostat are able to receive orders. There are two solutions:
  - By pilot wire (black wire) for devices without plug thanks to the system Chronopass or a wall pilot wire box
  - By carrier current with an interface on each device in addition to a Chronopass system or a wall carrier current box.

### 2.1.4 How to lock the commands (Figure 9)?

It is possible to lock or limit the use of the control knob **I** and to lock the switch **H** to prevent manipulation. Lift the unit from the wall bracket. On the back of the thermostat, remove the pins **J** from their support:

- The **K** position allows locking the control knob.
- The **L** position allows limiting the utilisation of the control knob.
- The **M** position allows locking the H switch on the desired mode.

## 3. Recommendations for use

- There is no point in setting maximum heating; the room temperature will not rise any quicker. If you leave for several hours, remember to reduce the temperature.
- If you have several units in a room, let them operate simultaneously. This will give you a more uniform temperature without increasing electricity consumption. This also applies for an unoccupied room; it is more interesting to let the device operate on a lower setting than turn it off completely.

## 4. Frost warning

Your device is equipped with a function to alert you when your room temperature is below 3 ° C. In this case the red light flashes.

We recommend that you put your device in mode ❄️ to avoid any risk of damage to your room.

## 5. Maintenance

- To maintain performances of your unit, you should clean the upper and lower grids of the unit about twice a year using a vacuum cleaner or a brush.
- Have a professional check the inside of the unit every five years. Dirt may collect on the grids of the unit if the atmosphere is polluted. This phenomenon is due to the poor quality of the ambient air. In this case, it is recommended to check that the room is well ventilated (ventilation, air inlet, etc.), and that the air is clean. The unit will not be replaced under the guarantee because of this type of dirt. The unit casing should be cleaned with a damp cloth, never use abrasive products.

## 6. Trouble-Shooting

- 
- **The device does not heat:** Make sure that the installation circuit breakers are switched on, or that the load shedder (if you have one) has not switched off the unit power supply. Check the air temperature in the room. For the device equipped, check that the programmer is in Comfort mode.
- **The unit is permanently heating:** Make sure that it is not in a draft and that the temperature setting has not been changed.
- **The unit does not carry out programming orders (Device equipped):** Make sure that the programming unit is being correctly used (refer to its user's manual) or that the Chronocarte is properly inserted in its housing and that it is operating normally (batteries). The device with electronic control is equipped with a microprocessor that can be disturbed by some severe mains voltage disturbances (outside EC standards defining the disturbance protection level). If there are any problems (thermostat blocked, etc.) switch off the unit power supply (fuse, circuit breaker, etc.) for about 5 minutes to allow the unit to start again. If this phenomenon occurs frequently, control the power supply by your energy supplier.
- **The device is very hot on the surface:** It is normal that the device when working, the maximum surface temperature is limited in accordance with standards. However, if you believe that your radiator is still too hot, make sure the power is adapted to the surface of your room (we recommend 100W / m2) and the unit is not placed in a stream of air that would disrupt its regulation.



## 7. Warranty conditions

### KEEP THIS DOCUMENT IN A SAFE PLACE

(This certificate should only be produced if you are making a complaint, attached with the invoice of the purchase)

- This guarantee is applicable for 2 years from the date of original purchase and shall be valid for no more than 30 months from the date of manufacture.
- The warranty covers the replacement and supply of accepted defective parts except damages and interest components.
- Labour costs, travel and transportation are under the responsibility of the user.
- Damage linked to an improper installation, to a supply network not complying with standards, to an abnormal using or to the non-compliance to the instructions of the manual are not covered by the warranty.
- Present this certificate only in case of claim with your distributor or installer attaching your invoice.
- The provisions of these warranty conditions are not exclusives of benefits for the purchaser of the legal guarantee for defects and hidden defects that apply in any case in terms of articles 1641 and following of the Civil Code.

DEALER STAMP

\* This information is shown on the plate which can be seen on the left-side or behind the front grille of the unit

	A Standards, quality labels
	B Commercial name
	C Commercial reference
	D Manufacturing reference
	E Serial Number
	F Manufacturer number

Type of Device *	
Serial Number *	
Name and address of the customer *	

Model identifier(s) : F117 - TAC					
Item	Symbol	Value	Unit	Item	Unit
<b>Heat output</b>				<b>Type of heat input, for electric storage local space heaters only (select one)</b>	
<b>Nominal heat output *</b>	<b>Pnom*</b>		<b>kW</b>	manual heat charge control, with integrated thermostat	No
Minimum heat output (indicative)	Pmin	= 0,00	kW	manual heat charge control with room and/or outdoor temperature feedback	No
Maximum continuous heat output	Pmax,c	= Pnom	kW	electronic heat charge control with room and/or outdoor temperature feedback	No
<b>Auxiliary electricity consumption</b>				fan assisted heat output	No
At nominal heat output	elmax	0,000	kW	<b>Type of heat output/room temperature control (select one)</b>	
At minimum heat output	elmin	0,000	kW	single stage heat output and no room temperature control	No
In standby mode	eISB	0,000	kW	Two or more manual stages, no room temperature control	No
				with mechanic thermostat room temperature control	No
				with electronic room temperature control	No
				electronic room temperature control plus day timer	No
				electronic room temperature control plus week timer	Yes
				<b>Other control options (multiple selections possible)</b>	
				room temperature control, with presence detection	No
				room temperature control, with open window detection	No
				with distance control option	Yes
				with adaptive start control	No
				with working time limitation	No
				with black bulb sensor	No
<b>Contact details</b>	<b>Idem information label</b>				

\* Fill in the required details according to the information on the product label.



**Внимание, горячая поверхность. ВНИМАНИЕ: Некоторые элементы этого изделия могут становиться очень горячими и вызвать ожоги. Особое внимание необходимо уделять при присутствии детей или взрослых с повышенной чувствительностью**

- Дети до 3 лет не должны приближаться к этому прибору, за исключением тех случаев, когда они находятся под постоянным присмотром.
- Дети в возрасте от 3 до 8 лет могут поставить или выключить устройство, при условии, что последний был помещен или установлена в нормальном положении и что эти дети должны быть под наблюдением и получили инструкции по использованию оборудования безопасно и понять потенциальные опасности. Дети в возрасте от 3 до 8 лет не должны подключить или настроить или очистить устройство, и ни выполнить обслуживание на пользователя.
- Это устройство может быть использовано в возрасте 8 лет и людей с физическими, сенсорными или умственными способностями или лишены опыта или знаний, они (если они) правильно мониторинг (е) с или инструкции по безопасному использованию аппарата, данное им и если риски были задержаны. Дети не должны играть с прибором. Чистка и обслуживание Пользователь не должен выполняться детей без присмотра.
- Этот прибор может быть включен в сеть или подсоединен только квалифицированным специалистом, в соответствии с действующими требованиями и правилами.
- Инструкция по эксплуатации для этого прибора доступна на страничке послепродажного обслуживания сайта указанного в талоне гарантийного обслуживания приложенного к этой инструкции.
- Если шнур питания поврежден, он должен быть заменен производителем, его сервисным агентом или квалифицированным специалистом, чтобы избежать любой опасности.

	Предупреждение : В целях безопасности и для избегания перегрева не накрывайте нагревательный прибор.
	Прибор, на котором изображен этот символ, не должен выбрасываться с бытовыми отходами, а должен быть собран отдельно для последующей переработки. В конце срока эксплуатации прибор должен быть переработан в соответствии с правилами, действующими в стране. (DEEE 2002/96/CE).
	В случае, когда прибор установлен на большой высоте над уровнем моря, температура выходящего воздуха повышается (примерно на 10 ° на каждые 1000 метров).

В случае установки мобильной версии прибора (применимые модели описаны ниже):

- Не использовать этот нагревательный прибор рядом с ванной, душем или бассейном.
- Не использовать этот нагревательный прибор в маленьких помещениях, когда присутствуют люди с ограниченной подвижностью, которые не могут покинуть помещение без посторонней помощи, если за ними нет постоянного присмотра.

## 1. Установка

### 1.1 Где устанавливать ваш нагревательный прибор?

- Данный прибор предназначен для установки в жилых помещениях. В других случаях обратитесь к своему дистрибьютору.
- Прибор должен быть установлен в соответствии с профессиональными стандартами и соответствовать нормам, действующим в стране установки (NFC 15-100 для Франции).
- Данный прибор класса II, с защитой от воды IP 24. Прибор может быть установлен в зоне 2 душевых комнат (Рисунок ①). Запрещено устанавливать прибор в зоне 1. Прибор устанавливается таким образом, чтобы выключатели и другие элементы контроля не были доступны для прикосновения для человека находящегося в ванной и/или душе.
- Соблюдать минимальные расстояния-отступы при установке прибора (Рисунок ②).
- Настенный кронштейн позволяет сохранить свободное пространство за устройством, чтобы не мешать его регулировке. Расстояние между прибором и стеной не должно затруднять доступность.

### 1.2 Не устанавливать нагревательную панель

- В случаях, которые могут повлиять на регулирование температуры (например, под центральной механической вентиляцией и т.д.).
- Под или поверх стационарной электрической розеткой (Рисунок ③) или вблизи штор или других горючих материалов.
- В положении, когда сетка для выпуска воздуха прибора и управляющая панель видны в верхней его части. Категорически запрещено устанавливать вертикальный прибор наоборот (Рисунок ④).



### 1.3 Как установить нагревательный прибор?

**ВНИМАНИЕ:** Прибор без вилки не может быть использовано с ножками

#### 1.3.1 Приготовление

- Крепление на стену распространяется на все механические и электронные приборы.

##### а. Открепите кронштейн крепления от прибора (Рисунки 5)

- Положите прибор на ровную поверхность решеткой-жалюзи вниз. При помощи плоской отвертки осторожно подденьте один угол кронштейна, чтобы не деформировать его. Поднимите одну сторону кронштейна под углом 45° и выньте вторую сторону кронштейна.

##### б. Установите кронштейн на стене (Рисунок 6)

Расположите кронштейн у стены на уровне пола. Наметьте точки сверления **A** для нижних отверстий кронштейна. Приподнимите кронштейн, совместив отметки с нижними отверстиями кронштейна, после чего наметьте оставшиеся два места для верхних отверстий кронштейна **B**. Просверлите отверстия и зафиксируйте кронштейн на стене при помощи дюбелей и винтов. Не забудьте вставить прокладки между кронштейном и стеной при необходимости. Установите и закрепите настенные кронштейны.


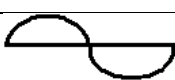


#### 1.3.2 Электрическое подключение

- Прибор предназначен для сети 230/50Hz.

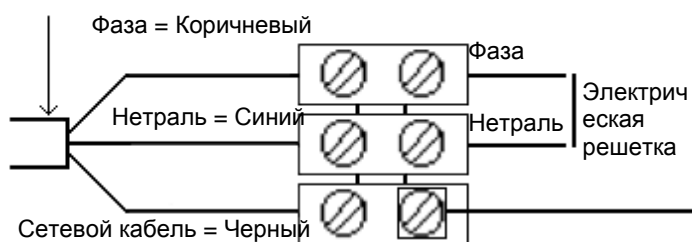
#### 1.3.3 Прибор без вилки:

Нагревательный прибор должен быть подключен к питанию двойным кабелем для механических приборов и тройным для электронных (коричневый = фаза, синий = нейтраль, черный = управляющий провод)

- Во влажных помещениях, таких как ванная комната и кухня электрическая розетка должна быть установлена минимум в 25 см от пола. Установка должна выполняться с устройством двойной брейк полюса с перерывом не менее 3 мм.
- Соединение с заземлением запрещено / Не подключать управляющий провод (черный) к заземлению. Если воздушное или ведомое устройство защищено 30 мА дифференциала (например, для ванной комнаты), это необходимо для защиты питания управляющий провод на этом дифференциале.

Принятая команда	Отсутствие сигнала	Полное чередование 230 V	Отрицательное получередование - 115V	Положительное получередование + 115V
Oscilloscope Ref/Neutral				
Полученный режим	CONFORT	ECO	ANTI - FREEZE	STOP HEATING LOAD SHEDDING

Кабель нагревательного прибора



#### 2 возможных случая:

1<sup>st</sup> случай: один  
нагреватель



Устройство без управления  
Управляющий провод не  
подключает

2<sup>nd</sup> случай: несколько  
нагревателей



Для приборов с центральным  
программированием

#### 1.3.4 Установка прибора на кронштейне (Рисунок 7)

- Поставьте прибор на нижние выступы кронштейна **C**. Прижмите прибор к верхним выступам кронштейна **D**. Защелкните конвектор на кронштейне по направлению сверху вниз. Чтобы снять прибор с кронштейна, с помощью плоской отвертки нажмите на язычок (в левом верхнем углу кронштейна) к стене. Поднимите прибор, держа язычок с помощью отвертки. Подтолкните его вперед, затем снимите с выступов **C**.

## 2. Использование

### 2.1 Как установить режим Комфорт? (Рисунок 8)

- Режим **Комфорт** позволяет установить желаемую температуру используя ручку контроля.
- Установите переключатель **H** на ☀, а затем установите ручку контроля **I** на желаемую настройку, индикатор нагрева **G** горит, если окружающая температура ниже желаемой. Подождите, пока температура стабилизируется.

<b>G</b>	Индикатор нагрева. Он показывает периоды, когда работает сопротивление. Со стабильной температурой он мигает и, если температура слишком высока, останавливается.
<b>H</b>	Лайдер или переключатель ☀
<b>I</b>	Ручка контроля температуры

### 2.2 Как установить режим ECO (Эконом)?

- Режим **ECO** позволяет уменьшать температуру режима **Комфорт** на 3-4 °C в течение времени пока комната пустует. Рекомендуется использовать этот режим, если комната пустует более 2 часов. Установите переключатель **H** на **ECO** и затем установите ручку контроля **I** на желаемую позицию, индикатор нагрева **G** горит, если внешняя температура ниже, чем желаемая температура ECO. Подождите, пока температура стабилизируется.

### 2.3 Как установить Антиобледенение?

- Это позиция переключателя, которая поддерживает температуру около 7° C в комнате во время длительного отсутствия дома (обычно более 24 часов). Установите переключатель **H** on ❄.

### 2.4 Как запрограммировать прибор в режимах Комфорт, ECO или Антиобледенение?

- Устройства, оборудованные электронным термостатом, могут быть запрограммированы. Через управляющий провод (черный провод) для устройств без вилки благодаря системе Chronopass или настенному программатору,

### 2.5 Как заблокировать команды (Рисунок 9)?

Для предотвращения изменений настроек Вы можете заблокировать или ограничить использование регулятора **I** и заблокировать выключатель **H**. Снимите прибор с кронштейна. На задней части термостата удалить штифты **J** от их поддержки:

- Позиция **K** допускает блокировку регулятора управления.
- **L** положение позволяет ограничить использование регулятора управления.
- Позиция **M** позволяет блокировку выключателя **H** на нужный режим.

## 3. Рекомендации по эксплуатации

- Бесплезно устанавливать настройки прибора на максимум, температура в комнате не станет подниматься от этого быстрее. Если вы уходите на несколько часов, не забудьте понизить температуру.
- Если в помещении несколько отопительных приборов, пусть они работают одновременно – это обеспечит более равномерный обогрев с одновременной оптимизацией расходов на электричество. При уходе, вместо полного отключения прибора, лучше оставьте его включённым на более слабый обогрев.

## 4. Обслуживание

- Для поддержания работы вашего прибора, очищайте верхние и нижние решетки прибора как минимум два раза в год с помощью пылесоса или щетки.
- Когда вы проветриваете помещение, выключайте обогрев, поставив курсор на ☀.
- При использовании прибора в сильно загрязненной атмосфере на поверхности решеток прибора могут появиться пятна. Такие поверхностные загрязнения не покрываются гарантией прибора и не являются основанием для его замены. При наличии чрезмерно загрязненного воздуха в помещениях рекомендуется осуществлять более частые проветривания и более часто проводить чистку прибора. Корпус прибора необходимо очищать влажной тряпкой.
- **Внимание** : Ни в коем случае не использовать для очистки абразивные и агрессивные материалы, которые могут повредить поверхность прибора
- Каждые пять лет внутренние компоненты прибора должны быть проверены и протестированы квалифицированным специалистом.

## 5. В случае проблем

- **Прибор не греет**: Убедитесь, что прибор подключен к сети. Проверьте температуру воздуха в комнате. Для моделей в комплектацию, которых входит программатор, убедитесь в том, что прибор находится в режиме КОМФОРТ. **Прибор постоянно греет**: Убедитесь, что он не находится на сквозняке и что установка температуры не была изменена. **Прибор не следует запрограммированным командам**: Убедитесь в том, что программирование было корректно применено (см. инструкцию на это), или что Chronopass правильно вставлена в гнездо, и что она функционирует нормально (проверьте батарейки). На работу электронного прибора, содержащего

микропроцессор могут повлиять помехи в электрической сети (за пределами ЕС стандарты определены уровнем нарушения защиты). В случае возникновения каких либо проблем (термостат и т.д.) отключите прибор от источника питания (предохранители, выключатели и т.д.) и перезапустите его через 5 минут. В случае частого возникновения проблем, проверьте источник питания или обратитесь к Вашему поставщику электроэнергии.

- **Поверхность прибора очень горячая:** Убедитесь в том, что мощность соответствует площади поверхности (рекомендуется 100W на m2) и что прибор не находится на сквозняке, который мог бы повлиять на настройки.



## 6. Условия гарантии

### Документ пользователя

(Предоставить сертификат только в случае претензии, с приложением документа удостоверяющего покупку)

- Эта гарантия применима в течение 2 лет с даты первоначальной покупки и действительна в течение не более 30 месяцев с даты изготовления. Гарантия распространяется на замену и поставку подтвержденных дефектных деталей за исключением механических повреждений и интересов. Пользователь оплачивает выезд, стоимость работ и транспортировку.
- Повреждения, связанные с неправильной установкой, с сетью питания, не соответствующей стандартам, с неправильным использованием или несоблюдением инструкций руководства не покрываются гарантией. Представляйте этот сертификат только в случае жалоб к своему дистрибьютору или установщику с документом подтверждающим покупку.
- Положения настоящих гарантийных условий не исключают осуществление покупателем правовой защиты против дефектов и скрытых недостатков, которая применяется в соответствии со статьями Гражданского кодекса.



\* Эта информация отображена на пластине, которую можно увидеть на левой стороне или за передней решеткой прибора

	A Стандарты, знаки качества
	B Коммерческое название
	C Коммерческий код
	D Код производителя
	E Серийный номер
	F Номер производителя

Тип прибора *	
Серийный номер *	
Имя и адрес клиента *	



**Pozor: Části konvektoru mohou dosahovat vyšších teplot a způsobit popálení. Věnujte zvláštní pozornost při přítomnosti dětí.**

- děti do tří let udržujte mimo dosah tohoto spotřebiče, pokud nejsou pod stálým dohledem.
- děti ve věku od 3 do 8 let musí tento spotřebič zapínat/vypínat pouze za předpokladu, že byl umístěn nebo nainstalován ve své zamýšlené normální provozní poloze, a pokud jsou pod dozorem nebo byly poučeny o používání spotřebiče bezpečným způsobem a rozumí případným nebezpečím. Děti ve věku od 3 do 8 let nesmějí zasouvat vidlici do zásuvky, regulovat a čistit spotřebič nebo vykonávat údržbu prováděnou uživatelem.
- tento spotřebič mohou používat děti ve věku 8 let a starší, a osoby se sníženými fyzickými, smyslovými nebo mentálními schopnostmi nebo nedostatkem zkušeností a znalostí, pokud jsou pod dozorem nebo byli poučeni o používání spotřebiče bezpečným způsobem a rozumí případným nebezpečím. Děti si se spotřebičem nesmějí hrát. Čištění a údržbu vykonávanou uživatelem nesmí vykonávat děti bez dozoru.
- spotřebič musí být instalován, nebo připojen autorizovanou osobou v souladu s platnými pravidly a normami.
- návod k obsluze je součástí balení výrobku, rovněž je k dispozici u prodejce.
- pokud je přívodní kabel poškozen, musí být nahrazen výrobcem, servisním pracovníkem nebo podobně kvalifikovanou osobou, aby se předešlo jakémukoli nebezpečí.



**Pozor:** V žádném případě konvektor nezakrývejte. Nápis "NEZAKRÝVAT" upozorňuje, že jakýkoliv materiál, kterým je zakryt konvektor může způsobit přehřátí, požár.



Elektrický odpad se nesmí likvidovat s domácím odpadem. Recyklujte na vyhrazených místech (podle místně platné legislativy).



Instalace zařízení ve vysoké nadmořské výšce způsobuje zvýšení teploty na výstupu vzduchu (cca 10°C na 1000 m nadmořské výšky)

Při případném přenosném využití konvektoru:

- Nepoužívejte konvektor v blízkosti vany, sprchy nebo bazénu.
- Nepoužívejte konvektor v malých prostorech, kde se vyskytují osoby, které nejsou schopny vlastní evakuace, nebo pokud není zajištěn jejich stálý dohled.

## 1. Instalace

### 1.1 Upozornění pro instalaci

Konvektory jsou určeny k montáži na stěnu v obytných prostorech. Jiný způsob montáže musí být konzultován s výrobcem, dodavatelem.

- Konvektory musí být instalovány v souladu s běžnou praxí a normami dané země.
- Konvektor je zařízení třídy II a je chráněn proti stříkající vodě, krytí IP24. V koupelnách musí být konvektor instalován ve shodě s ČSN 33 200-7-701 a smí být umístěn v souladu s obr. ①) i v zónách 2 a 3.

**Ovládání konvektoru nesmí být dosažitelné z vany nebo sprchy.**

- Dodržujte minimální montážní odstupy pro umístění zařízení (obr. ②).
- Nástěnná konzole umožňuje zachovat dostatečný prostor za konvektorem pro volnou konvekci vzduchu. Vzdálenost mezi konvektorem a stěnou nesmí být ničím omezena. Konvektory je možné instalovat na podklady třídy hořlavosti C, D.

### 1.2 Konvektory neinstalujte:

- v pozici, která by mohla mít vliv na jeho správnou funkci (například v blízkosti vzduchotechniky... ) elektrické zásuvky ... (obr. ③) ani do blízkosti záclon, nebo jiných hořlavých materiálů.
- je zakázáno instalovat produkty určené k vertikální instalaci do polohy horizontální a naopak (obr. ④). Při správné instalaci je mřížka výstupu vzduchu a ovládací panel situován v horní části.

### 1.3 Instalace

**VAROVÁNÍ: Typy bez vidlice (zástrčky) nelze použít jako přenosné.**

#### 1.3.1 Nástěnná instalace

Nástěnná instalace je možná u všech typů konvektorů.

##### a. Uvolněte závěsnou konzoli (obr. ⑥)

Doporučujeme položit konvektor čelní stranou dolů, plochým šroubovákem opatrně uvolněte pojistku tak, aby nedošlo k její deformaci, přidržte šroubovákem pojistku a uvolněte konzoli, poté ji vyklopte i ze spodních závěsů.

## b. Upevněte závěsnou konzoli (obr. 7)

Postavte konzoli na zem ke zdi a označte body pro navrtání otvorů **A**. Tyto otvory jsou určeny pro spodní závěs. Zdvihněte konzoli do úrovně otvorů **A** a označte body pro navrtání otvorů **B**, které určují pozici horního závěsu. Použijte vhodné prostředky pro dostatečně pevné ukotvení. Konzoli přišroubujte na zeď do konečné pozice.

## Elektrické připojení

Konvektory jsou určeny pro připojení na 230V / 50Hz. Konvektor je pro připojení k síti vybaven trojžilovým kabelem - elektronický termostat. Barevné označení vodičů:

**Hnědá = Fáze**

**Modrá = Nula**

**Černá = Pilotní vodič**

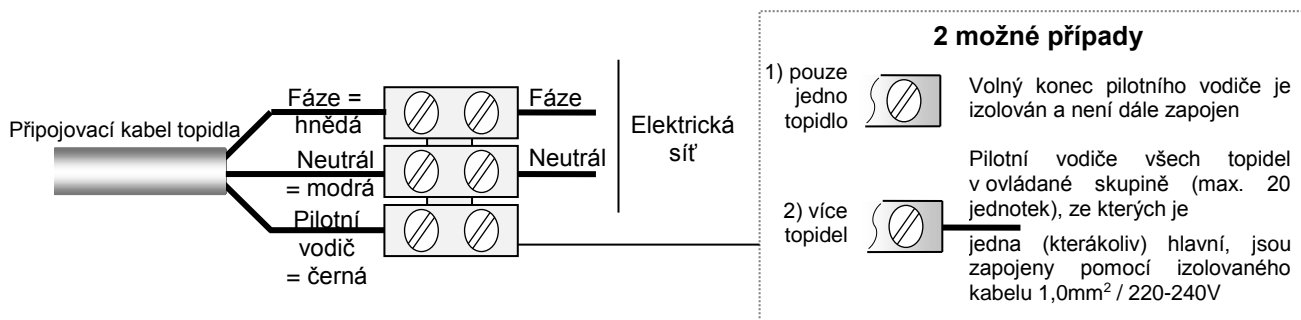
Instalace musí být vybavena vypínačem s minimálním odstupem kontaktu 3 mm.

**Připojení konvektoru k zemnicímu vodiči je zakázáno. Nezapojujte černý - pilotní vodič k uzemnění.**

Pokud je pilotní vodič (nebo topidlo ovládané pilotním vodičem) chráněno proudovým chráničem (např. v koupelně max. 30mA), musí být zdroj pilotního vodiče chráněn tímto stejným chráničem.

**Konvektor musí být instalován s řízením/ovládáním umožňujícím dálkové řízení – centrální programovací systém s dálkovým ovládáním, ovládání pilotních vodičů konvektorů.**

Tabulka příkazů a funkcí				
Příkaz				
	Bez napětí	230V	-115V	+115V
Typ provozu	Komfort	Útlumový	Nezámrzný režim	Vypnuto
Teplota	Dle nastavení termostatu	Teplota se sníží o cca 3,5°C	Udržování teploty na cca 7°C	Vypnutí vytápění



## 1.3.2 Upevnění spotřebiče na závěsnou konzoli (obr. 7)

Umístěte v nakloněné poloze konvektor ke konzoli **C** a mírným pohybem jej zasuňte do háčků **D**. Sklopte konvektor v konzoli **A** - cvaknutí znamená, že je konvektor správně nasazen a zajištěn. Chcete-li konvektor sejmut, plochým šroubovákem zatlačte na pojistku nahoře vlevo. Přidržte pojistku a vysuňte konvektor. Naklopte a vyjměte konvektor z konzole **C**.

## 2. Použití

### 2.1 Nastavení režimu komfort ☀ (obr. 8)

Komfortní teplota je teplota, kterou si přejete mít v místnosti, když je obývána

Přepínač **H** nastavte na pozici ☀, a poté nastavte ovládací kolečko **I** na požadovanou teplotu, kontrolka vytápění **G** svítí, pokud je teplota v místnosti nižší než požadovaná. Vyčkejte, než se teplota ustálí.

<b>G</b>	Kontrolka vytápění. Signalizuje období kdy je spotřebič v chodu. Při ustálené teplotě bliká, v případě příliš vysoké teploty blikat přestane.
<b>H</b>	Přepínač ☀
<b>I</b>	Kolečko pro nastavení teploty

### 2.2 Nastavení režimu Eco (útlum) ☾

Režim **ECO** umožňuje snížit teplotu o 3 až 4°C po dobu kdy není místnost obývána. Tento režim se doporučuje pokud není místnost užívána déle než 2 hodiny. Nastavte přepínač **H** do pozice **ECO** a ovládací kolečko **I** nastavte do požadované polohy, kontrolka vytápění **G** svítí, pokud je okolní teplota nižší než požadovaná **ECO**. Vyčkejte, než se teplota ustálí.

### 2.3 Nastavení nezámrazného režimu ❄️

Ovládací kolečko umožňuje udržovat teplotu v místnosti okolo 7°C během Vaší dlouhodobé nepřítomnosti (delší než 24h). Natavejte přepínač **H** do pozice ❄️.

### 2.4 Nastavení režimu KOMFORT, ECO a NEZÁMRZ pomocí příkazů po pilotním vodiči

Konvektory vybavené elektronickým termostatem mohou přijímat příkazy po pilotním vodiči, viz tabulka. Řízení dle návodu k obsluze programerrů.

### 2.5 Uzamčení ovládání (obr. 9)

Je možné zablokovat, nebo omezit použití ovládacího kolečka **I** a uzamknout přepínač **H**, aby se zabránilo nechtěné manipulaci. Vysuňte konvektor z konzole. Na zadní straně termostatu vyjměte svorky **J** ze základny:

- pozice **K** umožňuje zablokování kolečka pro nastavení teploty
- pozice **L** umožňuje omezit využití ovládacího kolečka
- pozice **M** umožňuje zablokování přepínače **H** v požadovaném režimu

## 3. Doporučené použití

Nemá smysl nastavovat maximální vytápění, teplota v místnosti nebude stoupat rychleji.

Pokud odcházíte na několik hodin, nezapomeňte snížit teplotu.

Pokud máte v místnosti více konvektorů, nechejte je v provozu zároveň. Tímto dosáhnete rovnoměrnější teploty bez zvýšení spotřeby elektřiny.

## 4. Signalizace/varování před možností promrznutí objektu

Konvektor je vybaven funkcí upozorňující na okolní teplotu nižší než 3°C – bliká červená kontrolní LED.

Pro předejití možného promrznutí objektu doporučujeme volit režim Nezámraz ❄️

## 5. Údržba

Pro zajištění výkonu je třeba přibližně jednou za rok vyčistit horní a spodní mřížky vysavačem nebo smetákem.

Každých pět let nechte vnitřní část jednotky profesionálně zkontrolovat.

Na mřížce jednotky se může při znečištěném ovzduší hromadit prach. Tento jev se objevuje při špatné kvalitě okolního vzduchu. V tomto případě se doporučuje zkontrolovat, jestli je místnost dobře odvětrávaná (ventilace, přívod vzduchu atd.) a jestli je vzduch čistý. Záruka se nevztahuje na výměnu zařízení v důsledku nerespektování výše uvedených doporučení. **Kryt jednotky by měl být čištěn vlhkým hadříkem, nikdy nepoužívejte abrazivní prostředky.**

## 6. Řešení problémů

**Konvektor netopí:** zkontrolujte, zda jsou zapnuty instalační jističe a proudový chránič (pokud je jím instalace vybavena).

**Konvektor trvale topí:** ujistěte se, že není konvektor v průvanu a že nebylo změněno nastavení teploty

**Konvektor neprovádí programové příkazy (verze s pilotním vodičem):**

Ujistěte se, že programovací jednotka je správně používána (viz. návod k instalaci a použití). Zařízení s elektronickým ovládním je vybaveno mikroprocesorem, který může být rušen některými závažnými poruchami síťového napětí (mimo normy ES určujících úroveň ochrany rušení). Pokud se vyskytnou nějaké problémy (zablokování termostatu atd.), vypněte napájení (pojistka, jistič, atd.) po dobu asi 5 minut aby se zařízení mohlo restartovat. Pokud se tento jev vyskytuje často, nechte zkontrolovat napájení Vaším dodavatelem energie.

**Povrch konvektoru je velmi horký:**

Za normálních okolností je max. povrchová teplota konvektoru v provozu omezena v souladu s normami. Nicméně pokud si myslíte, že konvektor je příliš horký, ujistěte se, že výkon odpovídá tepelným ztrátám místnosti a konvektor není umístěn v průvanu, který by narušoval jeho regulaci.

Identifikační značka (značky) modelu: F117- TAC				Údaj	Jednotka
<b>Tepelný výkon</b>	<b>Pouze u akumulčních elektrických lokálních topidel: typ příjmu tepla (vyberte jeden)</b>				
<b>Jmenovitý tepelný výkon *</b>	<b>P<sub>nom</sub>*</b>		<b>kW</b>	ruční řízení akumulace tepla s integrovaným termostatem	Ne
Minimální tepelný výkon (orientační)	P <sub>min</sub>	= 0,00	kW	ruční řízení akumulace tepla se zpětnou vazbou informací o teplotě v místnosti a/nebo venkovní teplotě	Ne
Maximální trvalý tepelný výkon	P <sub>max,c</sub>	= P <sub>nom</sub>	kW	elektronické řízení akumulace tepla se zpětnou vazbou informací o teplotě v místnosti a/nebo venkovní teplotě	Ne
<b>Spotřeba pomocné elektrické energie</b>				výdej tepla s ventilátorem	Ne
Při jmenovitém tepelném výkonu	el <sub>max</sub>	0,000	kW	<b>Typ výdeje tepla/regulace teploty v místnosti (vyberte jeden)</b>	
Při minimálním tepelném výkonu	el <sub>min</sub>	0,000	kW	jeden stupeň tepelného výkonu, bez regulace teploty v místnosti	Ne
V pohotovostním režimu	el <sub>SB</sub>	0,000	kW	dva nebo více ručních stupňů, bez regulace teploty v místnosti	Ne
				s mechanickým termostatem pro regulaci teploty v místnosti	Ne
				s elektronickou regulací teploty v místnosti	Ne
				s elektronickou regulací teploty v místnosti a denním programem	Ne
				<b>s elektronickou regulací teploty v místnosti a týdenním programem</b>	<b>Ano</b>
				<b>Další možnosti regulace ( lze vybrat více možností)</b>	
				regulace teploty v místnosti s detekcí přítomnosti osob	Ne
				regulace teploty v místnosti s detekcí otevřeného okna	Ne
				s dálkovým ovládním	Ano
				s adaptivně řízeným spouštěním	Ne
				s omezením doby činnosti	Ne
				s černým kulovým čidlem	Ne
<b>Kontaktní údaje</b>	<b>Viz štítek výrobku</b>				

\* Vyplňte dle údajů na štítku výrobku



## 7. Záruční podmínky

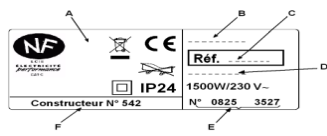
### UCHOVEJTE TENTO DOKUMENT NA BEZPEČNÉM MÍSTĚ

(Tento dokument by měl být použit pouze v případě reklamace a včetně dokladu o zakoupení)

Dodavatel poskytuje na výrobky záruku 24 měsíců od data prodeje. Záruka se nevztahuje na vady způsobené dopravou, nedbalou manipulací, neodbornou montáží, nedodržením pokynů uvedených v tomto návodu. Záruka se rovněž nevztahuje na běžné opotřebení výrobku. Jakýkoliv zásah do výrobku je považován za porušení záručních podmínek. Kompletní záruční podmínky naleznete na stránkách [www.fenixgroup.cz](http://www.fenixgroup.cz).

Tento dokument včetně dokladu o zakoupení použijte pouze v případě reklamace u svého prodejce, nebo instalační firmy. Ustanovení v těchto záručních podmínkách nezahrnuje všechny body uvedené v záručních podmínkách dané zákonem.

\* Tato informace je uvedena na štítku umístěném na levé straně nebo za přední mřížkou zařízení.



RAZÍTKO PRODEJCE:

A Normy označení jakosti

B Obchodní název

C Obchodní značka

D Výrobní značka

E Výrobní číslo

F Kód výrobce

Typ zařízení *	
Výrobní číslo *	
Jméno a adresa zákazníka *	



## Achtung



**ACHTUNG** : sehr heisse Oberfläche ! Einige Teile dieses Gerätes können sehr heiss werden und Verbrennungen verursachen. Besondere Vorsicht walten lassen bei Anwesenheit von Kindern und verwundbaren Personen.

- Es sollte weg von diesem Gerät Kinder unter 3 Jahren zu halten , sofern sie nicht unter ständiger Beobachtung stehen.
- Kinder zwischen 3 und 8 Jahre dürfen das Gerät nur an- oder ausschalten, soweit dieses in einer normalen Position montiert wurde und wenn diese Kinder beaufsichtigt werden oder Anweisungen zur sicheren Verwendung des Gerätes erhielten und die möglichen Gefahren verstehen. Kinder zwischen 3 und 8 Jahren dürfen das Gerät nicht anschliessen oder anpassen oder das Gerät reinigen und die Benutzerwartung durchführen.  
Dieses Gerät kann durch Kinder von mindestens 8 Jahre und von Personen mit reduzierten physischen, sensorischen oder geistigen Fähigkeiten verwendet werden wenn sie korrekt überwacht werden oder Anweisungen erhalten, das Gerät sicher zu bedienen und wenn die Risiken erklärt wurden.  
Kinder dürfen nicht mit dem Gerät spielen. Reinigung und Pflege darf nicht von Kindern ohne Aufsicht durchgeführt werden.
- Das Gerät darf nicht nach den Regeln und Normen verbunden oder angeschlossen werden , durch eine autorisierte Person.
- Wenn das Netzkabel beschädigt, muss es durch den Hersteller, seinen Kundendienst oder eine ähnlich qualifizierte Person , um jede Gefahr zu vermeiden ersetzt werden.
- Der Benutzer dieses Gerätes ist die Anmeldung auf der Herstellergarantieauf die auf dieser Website Broschüre angegeben.
- In der Anfangsheizung , kann ein leichter Geruch auftreten , die der Evakuierung von möglichen Spuren mit der Herstellung der Einrichtung verbunden



**VORSICHT**: Das Gerät nicht abdecken wegen Überhitzung und aus Sicherheitsgründen.



Geräte mit diesem Zeichen dürfen nicht in den Hausmüll geworfen werden, sondern müssen separat gesammelt und recycelt werden. Die Einsammlung und die Verwertung von ausgedienten Produkten muss entsprechend der lokalen Normen erfolgen (DEEE 2002/96/CE).



Eine Montage in höheren Standorten zieht höhere Luftaustrittstemperaturen nach sich ( ca. 10°C pro 1000 m )

Bei Verwendung als tragbares Gerät (siehe entsprechende Modelle unten):

- Das Gerät nicht in der Nähe der Badewanne, der Dusche oder eines Pools verwenden.
- Das Gerät nicht in kleinen Räumen verwenden, wo Personen sind, die sich nicht selbst bewegen können, ausser wenn dauernde Überwachung gewährleistet ist.

## 1. Installation

### Wo installieren?

- Dieses Gerät ist für die Benutzung im Wohn- und Bürobereich oder ähnliches konzipiert. Bei anderen Anwendungen fragen Sie Ihren Händler.
- Die Installation muss fachgerecht und unter Beachtung der lokalen Normen erfolgen ( z.B. VDE15100 ).
- Die Geräte haben Schutzklasse II und sind gegen Spritzwasser geschützt ( IP24 ). Sie können somit im Bereich 2 montiert werden (Bild ①). Die Bedienelemente dürfen allerdings nicht einer in der Wanne bzw. Dusche befindlichen Person zugänglich sein. Es ist verboten, das Gerät im Bereich 1 zu montieren.
- Beim Wahl des Montageortes den Mindestabstand zu Gegenständen wahren (Bild ②).
- The wall bracket allows keeping a free space behind the device to not disturb its regulation. The distance between the unit and the wall should not be obstructed.

### Wo nicht installieren?

- In einem Durchzug, der die Steuerung beeinträchtigen kann ( z.B. Zwangslüftung, ... ). Unter einer Anschlussdose oder in der Nähe von Gardinen oder anderen brennbaren Materien (Bild ③).
- In einer nicht erlaubten Position..
- Der Luftauslass und der Thermostat muss im oberen Teil des Gerätes sichtbar sein. Ein horizontales Gerät darf nicht senkrecht montiert werden und umgekehrt (Bild ④).

## Wie installieren?

### Die Wandhalterung vom Gerät abnehmen (Bild 5)

- Wir empfehlen, das Gerät flach auf die Vorderseite zu legen. Mit einem Flachschaubenzieher die Haltelippe anheben ohne Beschädigung. Bei angehobener Lippe die Halterung in Richtung Geräteunterteil drücken und die obere Kralle lösen. Die untere Kralle durch eine senkrechte Drehbewegung aus der Halterung ziehen und die Wandhalterung abnehmen.

### Wandhalterung befestigen

- Gerätehöhe 450 mm (Bild 6) : die Wandhalterung auf den Boden und gegen die Wand stellen, dann die Bohrpunkte **A** markieren. Diese sind die unteren Schrauben. Die Halterung auf die Punkte **A** anlegen und die Bohrpunkte **B** anzeichnen. Das sind die oberen Schrauben. Im Fall von speziellem Wandmaterial, die entsprechenden Dübel verwenden.
- Gerätehöhe 250 mm :siehe Bild 7.

### Elektroanschluss



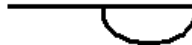

- Das Gerät muss mit Wechselstrom 230 V 50 Hz versorgt werden.

### Geräte ohne Stecker:

Der Netzanschluss erfolgt mit 3 adrigem ( braun=Phase, blau=Nulleiter, schwarz=Steuerleitung ) durch eine Festanschlussdose.

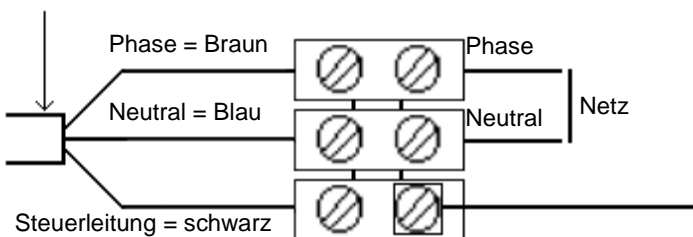
- In Feuchträumen wie Badezimmer und Küche muss die Anschlussdose mindestens 25 cm vom Boden entfernt sein. Das Gerät wird direkt am Netzkreis angeschlossen, der einen allpoligen Unterbrechungsschalter mit mindestens 3 mm Kontaktabstand hat
- Die ERDUNG ist untersagt. Den Steuerleitung ( schwarze Ader ) nicht an Erde anschliessen.
- Wenn das Anschlusskabel beschädigt ist, muss es vom Hersteller, seinem Kundendienst oder Personen mit ähnlichen Kenntnissen ausgetauscht werden, um Gefahr zu vermeiden.

**Dieses Gerät muss mit einem fernsteuerbaren Programmiersystem installiert werden. Diese Art von System kann über den Pilotdraht des Gerätes angeschlossen werden.**


Befehl	Kein Signal	Voller Sinus 230 V	Negativer Halbsinus - 115V	Positiver Halbsinus + 115V
Oscilloscop Zu Neutral				
Modus	KOMFORT	ECO	FROSTSCHUTZ	STOP BEI ÜBERLAST


  

Kabel



**2 possible cases:**

Fall 1: ein Gerät  Steuerleitung nicht angeschlossen

Fall 2: Mehrere Geräte  Verbindung zu Master oder Steuerung

### Gerät mit Stecker:

Das Gerät wird mit dem Stecker an das Netz angeschlossen.

### Wandinstallation (Bild 8)

- Das Gerät geneigt auf die Halterung **C** setzen und dann kippen, um es auf die Halterung **D** einzurasten. Das Gerät nach unten schieben. Ein Klick zeigt, dass das Gerät richtig befestigt ist. Um das Gerät wieder abzunehmen, mit einem Flachschaubenzieher die Haltelippe anheben ohne Beschädigung. Bei angehobener Lippe die Halterung in Richtung Geräteunterteil drücken und die obere Kralle lösen. Die untere Kralle durch eine senkrechte Drehbewegung aus der Halterung ziehen und von der Wandhalterung abnehmen.

## 2. Benutzung

- Siehe Bild 8.

### Wie den Komfort Modus einstellen?

- Im Komfort Modus wird die gewünschte Temperatur mit dem Stellrad gewählt.

- Den Schalter **A** auf **I** stellen. Den Regler **C** auf ☀ schieben, und dann das Stellrad **B** auf die gewünschte Position drehen, Die Heizleuchte **D** geht an, wenn die Raumtemperatur unter der gewünschten liegt.. Warten bis sich die Temperatur stabilisiert, erst dann gegebenenfalls die Einstellung ändern.

<b>A</b>	Switch 0/I
<b>B</b>	Control knob of the temperature
<b>C</b>	Mode switch knob.
<b>D</b>	Indicator for heating. It indicates the periods in which the resistance is working. With a stabilized temperature, it flashes and if the temperature is too high, it stops.

### Wie den Eco Modus einstellen?

- **ECO** Modus erlaubt die Temperaturabsenkung von 3 bis 4°C unter den Komfort Modus während Zeiten, in denen der Raum nicht benutzt wird. Wir empfehlen diesen Modus bei Abwesenheit von mehr als 2 Stunden. Den Schalter **A** auf **I** stellen. Den Regler **C** auf **ECO** schieben. Die Heizleuchte **D** geht an, wenn die Raumtemperatur niedriger als die **ECO** Temperatur ist.

### Wie den Frostschutz Modus einstellen?

- In dieser Reglerposition halt das Gerät eine Raumtemperatur von ca. 7 ° C während einer längeren Abwesenheit (im Allgemeinen mehr als 24 Stunden). Den Schalter **A** auf **I** stellen. Dann den Regler **C** auf ❄ schieben.

### Wie das Gerät abschalten?

- Zum Ausschalten, den Regler **C** auf ⏻ schieben. Dann den Schalter **A** auf **O** stellen.

### Wie die Modi Komfort, ECO oder Frostschutz programmieren?

- Die Geräte sind mit einem elektronischen Thermostat ausgerüstet, das Befehle empfangen kann. Zwei Möglichkeiten :  
- Über die Pilotleitung (schwarzes Kabel) bei Geräten ohne Stecker über ChronoPass oder andere externe Schaltuhr  
- Durch FM Trägerfrequenz über die Stromleitung mit einem speziellen ChronoPass System.

### Wie die Bedienelemente sperren (Bild 9)?

Das Stellrad **I** und/oder der Regler **H** können verriegelt oder begrenzt werden. Das Gerät von der Wandhalterung nehmen. Auf der Rückseite des Thermostatkastens die Stifte **J** von deren Halterung brechen: Die Position **K** verriegelt das Stellrad / Die **L** Position begrenzt den Einstellbereich des Stellrads /Die **M** Position blockiert den Regler **H** in der gewünschten Position.

## 3. Benutzungshinweise

- Es ist unnötig das Stellrad auf Max zu stellen, da die Raumtemperatur nicht schneller steigt. Wenn Sie mehrere Stunden abwesend sind, vergessen Sie nicht die Temperatur zu senken.  
- Wenn mehrere Geräte in einem Raum sind diese gleichzeitig arbeiten lassen, um eine ausgeglichene Temperaturverteilung und eine Optimierung des Stromverbrauchs zu erreichen. Das ist auch für ein unbenutztes Zimmer der Fall : besser das Gerät auf Min arbeiten lassen als komplett abzuschalten.

## 4. Gelwarnung

Ihr Gerät ist mit einer Funktion ausgestattet, um Sie zu warnen, wenn die Raumtemperatur unter 3 ° C In diesem Fall blinkt die rote LED.

Wir empfehlen, dass Sie Ihr Gerät-Modus Frost Upgrade Abbau Ihres Zimmers zu verhindern

## 5. Wartung

- Um die Leistung des Gerätes zu gewährleisten sollten Sie 2 mal jährlich die oberen und unteren Öffnungen mit einem Staubsauger oder einer Bürste entstauben.
- Alle 5 Jahre das Gerät durch einen Fachmann prüfen lassen. Umweltschmutz oder schlechte Raumluft kann Verschmutzungen am Luftauslass verursachen. Prüfen Sie ob der Raum ausreichend belüftet wird. Diese Verschmutzungen sind von der Garantie ausgeschlossen. Der Gerätekörper kann mit einem feuchten Tuch gereinigt werden, aber ohne scheuernde Mittel.

## 6. Problembehandlung

- **Gerät heizt nicht:** Prüfen, dass die Sicherungen eingeschaltet sind und das ein Lastabschalter ( wenn vorhanden ) die Heizung nicht abgeschaltet hat. Die Raumtemperatur prüfen. Wenn vorhanden, die Programmierung auf Komfort stellen.
- **Gerät heizt andauernd:** prüfen, ob das Gerät nicht in einem Luftzug hängt oder ob die Temperaturwahl geändert wurde.
- **Gerät führt keine Steuerbefehle aus (wenn ausgerüstet):** prüfen, dass die Programmkarte richtig benutzt wird, dass die Karte richtig eingesteckt wurde, dass diese funktioniert. Die Batterien prüfen. Elektronische Geräte mit Mikroprozessoren können durch bestimmte Netzstromschwankungen beeinflusst werden ( geschützt in den Grenzwerten der EU Normen ). Bei Problem ( Thermostat blockiert , ... ) die Stromversorgung ca. 5 Minuten unterbrechen ( Sicherung, Stecker, .. ) und Gerät erneut in Betrieb nehmen. Wenn die Störung öfter auftritt, das Netz von einem Spezialisten prüfen lassen.
- **Gerät hat sehr heisse Oberfläche:** es ist normal, dass das Gerät heiss ist, wenn es arbeitet, wobei die Oberflächentemperatur entsprechend der aktuellen Normen begrenzt ist. Sollten Sie die Temperatur als zu hoch empfinden, prüfen Sie ob die Leistung des Gerätes der Raumfläche entspricht ( max 100 W/m<sup>2</sup> ) und ob das Gerät im Durchzug montiert ist.



## 7. Garantiebestimmungen

### DIESES DOKUMENT SICHER AUFBEWAHREN

(Dokument durch den Benutzer aufzubewahren ( dieses Zertifikat nur im Falle einer Reklamation zeigen )

- Die Garantiedauer ist 2 Jahre ab dem Datum der Installation oder Kaufdatum und kann ohne Nachweis nicht 30 Monate nach dem Produktionsdatum überschreiten.
- Die Garantie deckt den Austausch bzw. die Lieferung der als fehlerhaft anerkannten Teile unter Ausschluss von anderen Ansprüchen.
- Lohn-, Transport- und Reisekosten sind vom Benutzer zu tragen.
- Schäden durch eine nicht konforme Installation, durch ein nicht den Normen entsprechendes Stromnetz ( EN 50160 ), durch unnormalen Gebrauch oder die Nichtbeachtung der Vorschriften der Bedienanleitung fallen nicht unter die Garantie.
- Dieses Zertifikat im Falle einer Reklamation Ihrem Händler zusammen mit der Rechnung und den Gerätedaten\* vorlegen.
- Die Bestimmungen der vorliegenden Garantiebedingungen schliessen nicht das Recht des Käufers auf die Inanspruchnahme der gesetzlichen Gewährleistung im Falle von versteckten Mängeln aus.
- Bei Garantieansprüchen wenden Sie sich an **Ihren Installateur oder Händler**. Wenn notwendig kontaktieren Sie den Hersteller: ATL International Tel: (+33)146836000, Fax: (+33)146836001, 58 av Gén. Leclerc 92340 Bourg-la-Reine (France)

Stempel des Händlers
----------------------

\* Diese Information befinden sich auf dem Typenschild rechts am Gerät

	A Norm, Qualitätssiegel
	B Gerätename
	C Artikelnummer
	D Werksnummer
	E Seriennummer
	F Herstellercode

Gerätemodell *	
Seriennummer *	
Name und Adresse des Kunden *	

<b>Modellkennung(en):</b>				<b>F117 - TAC</b>	
Angabe	Symbol	Wert	Ein-heit	Angabe	Einheit
<b>Wärmeleistung</b>				<b>Nur bei elektrischen Speicher-Einzelraumheizgeräten: Art der Regelung der Wärmezufuhr (bitte eine Möglichkeit auswählen)</b>	
<b>Nennwärmeleistung *</b>	<b>P<sub>nom</sub>*</b>		<b>kW</b>	manuelle Regelung der Wärmezufuhr mit integriertem Thermostat	nein
Mindestwärmeleistung (Richtwert)	P <sub>min</sub>	= 0,00	kW	manuelle Regelung der Wärmezufuhr mit Rückmeldung der Raum- und/oder Außentemperatur	nein
Maximale kontinuierliche Wärmeleistung	P <sub>max,c</sub>	= P <sub>nom</sub>	kW	elektronische Regelung der Wärmezufuhr mit Rückmeldung der Raum- und/oder Außentemperatur	nein
<b>Hilfsstromverbrauch</b>				Wärmeabgabe mit Gebläseunterstützung	nein
Bei Nennwärmeleistung	e <sub>lmax</sub>	0.000	kW	<b>Art der Wärmeleistung/Raumtemperaturkontrolle (bitte eine Möglichkeit auswählen)</b>	
Bei Mindestwärmeleistung	e <sub>lmin</sub>	0.000	kW	einstufige Wärmeleistung, keine Raumtemperaturkontrolle	nein
Im Bereitschaftszustand	e <sub>lSB</sub>	0.000	kW	zwei oder mehr manuell einstellbare Stufen, keine Raumtemperaturkontrolle	nein
				Raumtemperaturkontrolle mit mechanischem Thermostat	nein
				mit elektronischer Raumtemperaturkontrolle	nein
				elektronische Raumtemperaturkontrolle und Tageszeitregelung	nein
				elektronische Raumtemperaturkontrolle und Wochentagsregelung	ja
				<b>Sonstige Regelungsoptionen (Mehrfachnennungen möglich)</b>	
				Raumtemperaturkontrolle mit Präsenzerkennung	nein
				Raumtemperaturkontrolle mit Erkennung offener Fenster	nein
				mit Fernbedienungsoption	ja
				mit adaptiver Regelung des Heizbeginns	nein
				mit Betriebszeitbegrenzung	nein
				mit Schwarzkugelsensor	nein
<b>Kontaktangaben</b>	<b>Idem Typenschild</b>				

\* Gemäß den Schildangaben ausfüllen